



3PT Implement Caddy

Model 500
Serial Number A71750100 & Up

Part No. 604900

Foreword



This symbol identifies important safety messages. When you see it, read the message that follows and be alert to the possibility of personal injury.

Remember, safety instructions stated in this manual are for your protection. Read them carefully and follow them closely when working around or using this machine.

Read and study this manual completely before attempting to operate this implement. Take this manual to the field for handy reference when operating, adjusting, or servicing your machine.

When referenced, “Right-Hand” (RH) and “Left-Hand” (LH) side of the machine are determined by standing behind the machine and facing in the direction of travel.

PRE-OPERATION CHECKLIST

<input type="checkbox"/> Wheel bolts tightened (recheck after initial use)	<input type="checkbox"/> Safety and operating procedures reviewed
<input type="checkbox"/> Tire pressures checked	<input type="checkbox"/> Field adjustment information reviewed
<input type="checkbox"/> Hardware tightened	<input type="checkbox"/> Lubrication procedures reviewed
<input type="checkbox"/> Machine lubricated	<input type="checkbox"/> Warranty information reviewed
	<input type="checkbox"/> Hydraulic hoses properly routed/fittings tight

Product Information

When ordering parts or when requesting further information or assistance, always give the following information:

- Machine name
- Model number
- Serial number

All products manufactured by Unverferth Mfg. Co., Inc. are warranted to be free from material and workmanship defects for one full year from time of consumer delivery. Your local dealer will gladly assist you with any warranty questions.

Please fill out and retain this portion for your records. The serial number plate is located on the front axle frame assembly (FIG. 1).

Purchase Date _____ Model _____ Serial No. _____

Dealer _____ City _____

Dealer Contact _____ Phone _____

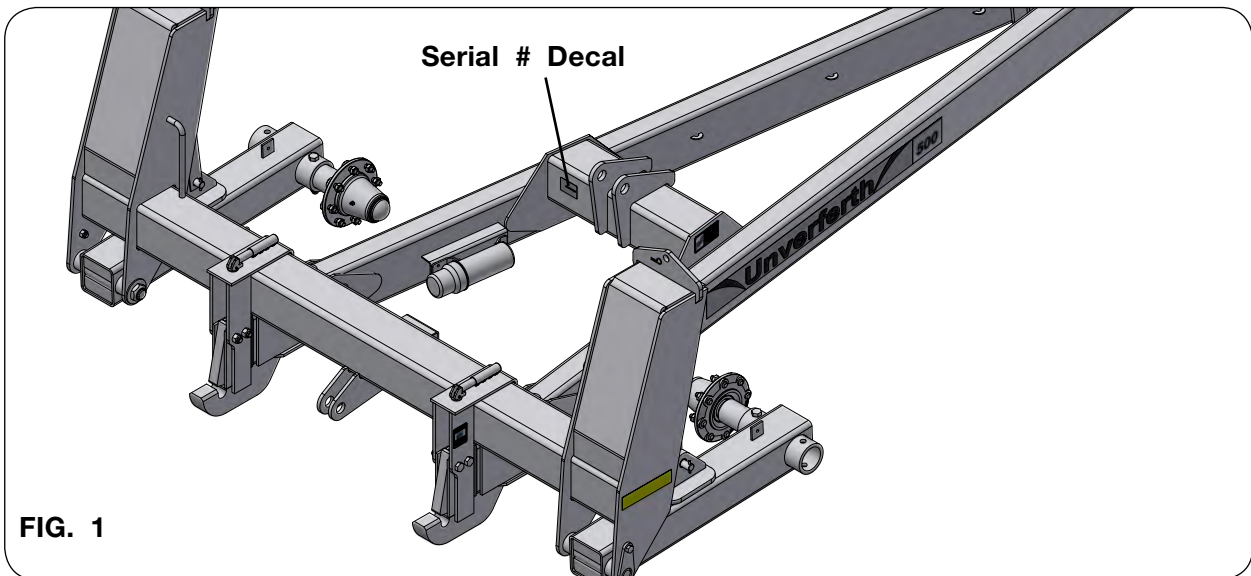


FIG. 1

IMPORTANT

The information, specifications, and illustrations in the manual are on the basis of information available at the time it was written. Due to continuing improvements in the design and manufacture of Unverferth products, all specifications and information contained herein are subject to change without notice.

Table of Contents

Foreword.....2
Product Information.....3

SECTION I
Safety

General Hazard Information.....1-2
Safety Decals.....1-3
General Safety Instructions1-4
Before Servicing or Operating1-4
During Operation.....1-5
Before Transporting1-5
During Transport1-5
Pressurized Oil.....1-6
Preparing for Emergencies1-7
Wearing Protective Equipment.....1-7

SECTION II
Set Up

Assembly.....2-2
SIS Decals.....2-2
Hydraulic Assembly2-3
 Purging Hydraulic System.....2-8
 Hydraulic System Checks2-9
Hub & Spindle Assembly2-9
Tire & Wheel Assembly2-10
Adjustable Link Assembly.....2-12
Jack Stand Assembly2-13
Hose Holder Assembly2-14
Transport Chain Assembly.....2-14
Upper Hook Kit #68965B (Optional).....2-15
Hydraulic Extension Kit (Optional).....2-17
Electrical Extension Kit (Optional).....2-18

Table of Contents

SECTION III

Operation

Operations	3-2
Preparing Tractor	3-2
Front-End Weights	3-2
Drawbar Requirements	3-2
Hydraulic Flow Requirements	3-2
Wheel Spacing	3-3
3-PT. Linkage.....	3-3
Pins and Spiral Pins	3-3
Hydraulics	3-3
Lubrication	3-3
Hitch	3-3
Tires/Wheels.....	3-3
Attaching Caddy to Tractor.....	3-4
Attaching Implement to Caddy.....	3-5
Transport Chain.....	3-6
Hydraulics	3-6
Transporting.....	3-7
Unhitching.....	3-8
Field Adjustments.....	3-8
Leveling Rear Implement.....	3-9

SECTION IV

Maintenance

Lubrication.....	4-2
Wheel Bearings	4-2
Adjustable Link.....	4-2
Hub Assembly.....	4-2
Hydraulic System.....	4-3
Storage.....	4-4
Latch Adjustment Procedure.....	4-4
Troubleshooting	4-6
Wheels and Tires	4-7
Wheel Torque Requirments.....	4-7
Tire Pressure	4-7
Tire Warranty	4-8
Torque Chart	4-8
Hydraulic Fitting - Torque and Installation Procedures.....	4-9

Table of Contents

SECTION V
Parts

Decals	5-2
Touch-Up Paint	5-3
Hitch Components	5-4
Frame Components	5-6
Spindle & Hub Components and Wheels.....	5-8
Linkage Components.....	5-10
Optional Caddy Upper Hook Kit #68965B	5-11
Hydraulic Components	5-12
Hydraulic Valve Conversion Kit.....	5-14
Hydraulic Extension (Optional) Kit.....	5-15
Electrical Extension (Optional) Kit	5-16

SECTION I

Safety

General Hazard Information.....	1-2
Safety Decals.....	1-3
General Safety Instructions.....	1-4
Before Servicing or Operating.....	1-4
During Operation.....	1-5
Before Transporting.....	1-5
During Transport.....	1-5
Pressurized Oil.....	1-6
Preparing for Emergencies.....	1-7
Wearing Protective Equipment.....	1-7

General Hazard Information

No accident-prevention program can be successful without the wholehearted cooperation of the person who is directly responsible for the operation of the equipment.

A large number of accidents can be prevented only by the operator anticipating the result before the accident is caused and doing something about it. No power-driven equipment, whether it be transportation or processing, whether it be on the highway, in the field, or in the industrial plant, can be safer than the person who is at the controls. If accidents are to be prevented--and they can be prevented--it will be done by the operators who accept the full measure of their responsibility.

It is true that the designer, the manufacturer, and the safety engineer can help; and they will help, but their combined efforts can be wiped out by a single careless act of the operator.

It is said that, "the best kind of a safety device is a careful operator." We, at Unverferth Mfg. Co., Inc. ask that you be that kind of operator.



REMEMBER:
THINK SAFETY
A CAREFUL OPERATOR IS THE
BEST INSURANCE AGAINST AN
ACCIDENT!

SIGNAL WORDS

 **DANGER**

INDICATES AN EXTREMELY HAZARDOUS SITUATION OR ACTION THAT WILL RESULT IN SERIOUS INJURY OR DEATH.

 **WARNING**

INDICATES A HAZARDOUS SITUATION OR ACTION THAT COULD RESULT IN SERIOUS INJURY OR DEATH.

 **CAUTION**

INDICATES AN UNSAFE SITUATION OR ACTION THAT MAY RESULT IN PERSONAL INJURY.

IMPORTANT

Is used for instruction on operating, adjusting, or servicing a machine.

Safety Decals

WARNING

- REPLACE LOST, DAMAGED, PAINTED, OR UNREADABLE DECALS IMMEDIATELY. IF PARTS THAT HAVE DECALS ARE REPLACED, ALSO MAKE SURE TO INSTALL NEW DECALS. THESE DECALS INFORM AND REMIND THE OPERATOR WITH OPERATIONAL INFORMATION AND SAFETY MESSAGES.



Reflector =Amber=
PART NO. 9003127



PART NO.
Front - 9009815
Rear - 9009814

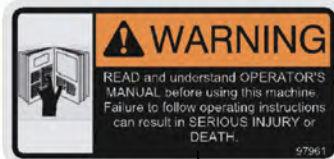


PART NO. 97972



PART NO. 95445

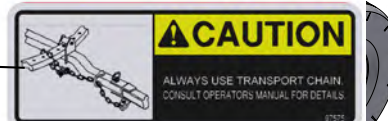
PART NO. 97961



PART NO. 900558







PART NO. 94094




PART NO. 97575

Follow Safety Instructions

- Read and understand this operator's manual before operating. 
- All machinery should be operated only by trained and authorized personnel.
- To prevent machine damage, use only attachments and service parts approved by the manufacturer.
- Always shut towing vehicle engine off and remove key before servicing. 
- Avoid personal attire such as loose fitting clothing, shoestrings, drawstrings, pants cuffs, long hair, etc., that may become entangled in moving parts.
- Do not allow anyone to ride on the implement. Make sure everyone is clear before operating machine or towing vehicle. 
- Never attempt to operate implement unless you are in driver's seat. 

Before Servicing or Operating

- Avoid working under an implement; however, if it becomes absolutely unavoidable, make sure the implement is safely blocked. 
- Ensure that all applicable safety decals are installed and legible.
- Secure the drawbar pin with the safety lock and lock the tractor drawbar in a fixed position.
- Explosive separation of a tire and rim can cause serious injury or death. Only properly trained personnel should attempt to service a tire and wheel assembly.
- Do not stand between towing vehicle and implement during hitching.
- Always make certain everyone and everything is clear of the machine before beginning operation.
- Verify that all safety shields are in place and properly secured.
- Add sufficient ballast to the tractor to maintain the steering and braking control at all times. Do not exceed the tractor's lift capacity or ballast capacity.

During Operation

- Regulate speed to working conditions. Maintain complete control at all times.

- Never service or lubricate equipment when in operation.

- Use extreme care when operating close to ditches, fences, or on hillsides.

- Do not leave towing vehicle unattended with engine running.

Before Transporting

- Secure transport chains to towing vehicle before transporting. DO NOT transport without chains.

- Install the transport locks before transporting.

- Check for proper function of all available transport lights. Make sure that all reflectors are clean and in place on machine. Make sure that the SMV emblem and SIS decal are visible to approaching traffic.

During Transport

- Comply with all laws governing highway safety when moving machinery.

- Use transport lights as required by all laws to adequately warn operators of other vehicles.

- Regulate speed to road conditions and maintain complete control.


- Maximum transport speed of this implement should never exceed 20 mph as indicated on the machine. Maximum transport speed of any combination of implements must not exceed the lowest specified speed of the implements in combination. Do not exceed 10 mph during off-highway travel.

- Slow down before making sharp turns to avoid tipping. Drive slowly over rough ground and side slopes.

- It is probable that this implement is taller, wider and longer than the towing vehicle. Become aware of and avoid all obstacles and hazards in the travel path of the equipment, such as power lines, ditches, etc.

Pressurized Oil

- Relieve the hydraulic system of all pressure before adjusting or servicing. See hydraulic power unit manual for procedure to relieve pressure.

- High-pressure fluids can penetrate the skin and cause serious injury or death. Leaks of high-pressure fluids may not be visible. Use cardboard or wood to detect leaks in the hydraulic system. Seek medical treatment immediately if injured by high-pressure fluids. 

- Hydraulic system must be purged of air before operating to prevent serious injury or death.

- Do not bend or strike high-pressure lines. Do not install bent or damaged tubes or hoses.

- Repair all oil leaks. Leaks can cause fires, personal injury, and environmental damage.

- Route hoses and lines carefully to prevent premature failure due to kinking and rubbing against other parts. Make sure that all clamps, guards and shields are installed correctly.

- Check hydraulic hoses and tubes carefully. Replace components as necessary if any of the following conditions are found:
 - o End fittings damaged, displaced, or leaking.
 - o Outer covering chafed/cut or wire reinforcing exposed.
 - o Outer covering ballooning locally.
 - o Evidence of kinking or crushing of the flexible part of a hose.

Preparing for Emergencies

- Keep a first aid kit and properly rated fire extinguisher nearby.



- Keep emergency numbers for fire, rescue, and poison control personnel near the phone.



Wearing Protective Equipment

- Wear clothing and personal protective equipment appropriate for the job.



- Wear steel-toed shoes when operating.



- Wear hearing protection when exposed to loud noises.



- Do not wear additional hearing impairing devices such as radio headphones, etc.



Notes

SECTION II

Set Up

Assembly.....	2-2
SIS Decals.....	2-2
Hydraulic Assembly	2-3
Purging Hydraulic System.....	2-8
Hydraulic System Checks	2-9
Hub & Spindle Assembly	2-9
Tire & Wheel Assembly	2-10
Adjustable Link Assembly.....	2-12
Jack Stand Assembly	2-13
Hose Holder Assembly	2-14
Transport Chain Assembly.....	2-14
Upper Hook Kit #68965B (Optional).....	2-15
Hydraulic Extension Kit (Optional).....	2-17
Electrical Extension Kit (Optional).....	2-18

Assembly

This section contains all of the instructions required for the complete assembly of the CADDY.

For your safety, and the safety of others, use proper tools and equipment and always use safe working procedures. Refer to these instructions before starting any work on your machine.

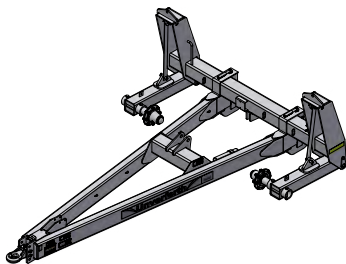
IMPORTANT

- The procedures for assembling this unit are intended for two or more people.

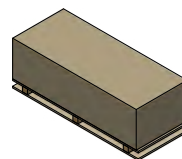
For ease of assembly, install all hardware loosely until assembly is complete and then tighten according to “Torque Chart” in MAINTENANCE section.

You should receive the following bundles:

A-FRAME ASSEMBLY



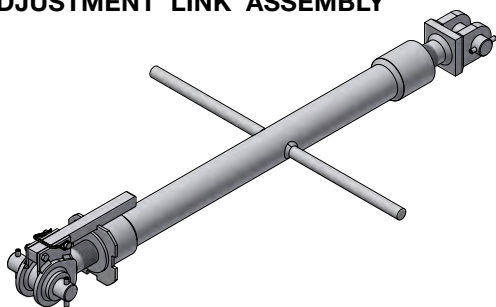
PARTS BOX



MOUNTED TIRE & WHEEL



ADJUSTMENT LINK ASSEMBLY



SIS Decals

Due to shipping requirements and various dealer-installed options, some initial implement set up will be required after it arrives from the factory.

Ensure the SIS decals (one on the front and one on the rear of the implement) are clean and visible.



FIG. 2-1

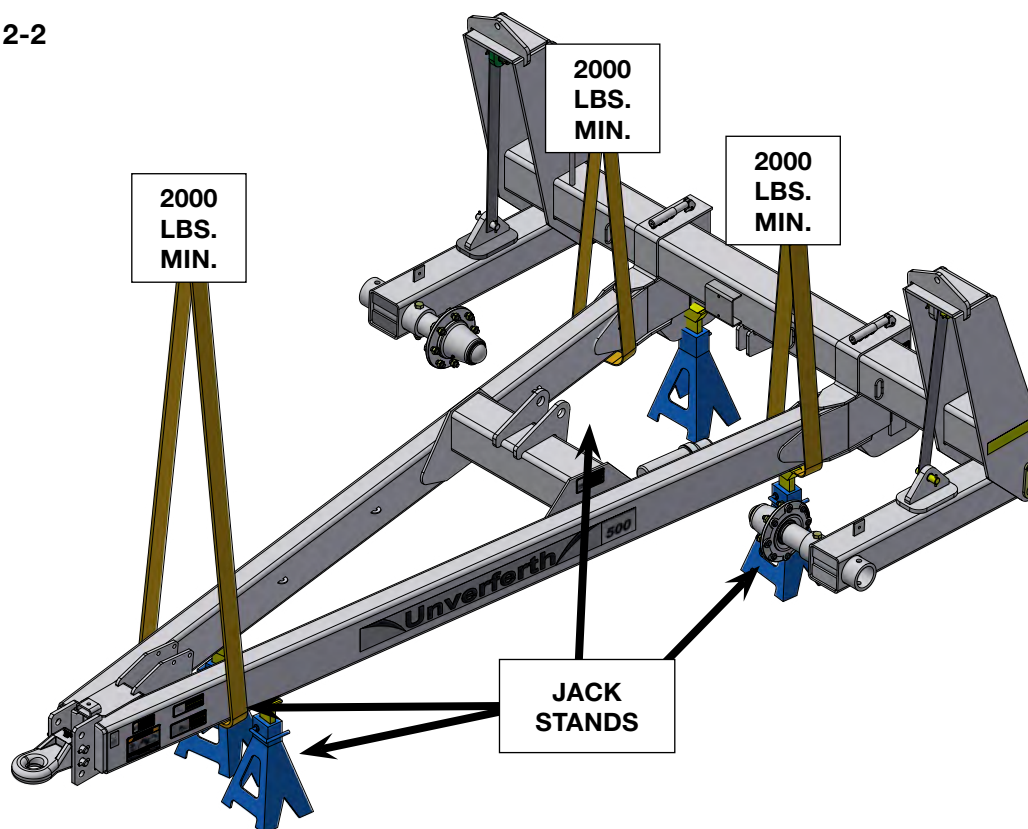
Hydraulic Assembly

⚠ WARNING

- **FALLING OBJECTS CAN CAUSE SERIOUS INJURY OR DEATH. DO NOT WORK UNDER THE MACHINE AT ANY TIME WHILE BEING HOISTED. BE SURE ALL LIFTING DEVICES AND SUPPORTS ARE RATED FOR THE LOADS BEING HOISTED. THESE ASSEMBLY INSTRUCTIONS WILL REQUIRE SAFE LIFTING DEVICES UP TO 2,000 LBS. SPECIFIC LOAD RATINGS FOR INDIVIDUAL LOADS WILL BE GIVEN AT THE APPROPRIATE TIME IN THE INSTRUCTIONS.**
- **EYE PROTECTION AND OTHER APPROPRIATE PERSONAL PROTECTIVE EQUIPMENT MUST BE WORN WHILE SERVICING IMPLEMENT.**
- **KEEP HANDS CLEAR OF PINCH POINT AREAS.**

1. Using a safe lifting device rated for a minimum of 2000 lbs., raise implement (FIG. 2-2).
2. Install properly rated jack stands.

FIG. 2-2



Hydraulic Assembly (continued)

3. Remove and save the 1" dia. x 4" pins (85631) and 1/4" dia. x 1 7/8" spiral pins (91144-165) from shipping straps. Lower the axle assemblies to the ground as shown in FIG. 2-3.
4. Open the parts box and find the cylinders (96762).
5. Attach the base end of the cylinders to the top of the axle assemblies with the 1" dia. x 4" pins (85631) and 1/4" dia. x 1 7/8" spiral pins (91144-165) removed in step #1. Shown in FIG. 2-4.

FIG. 2-3

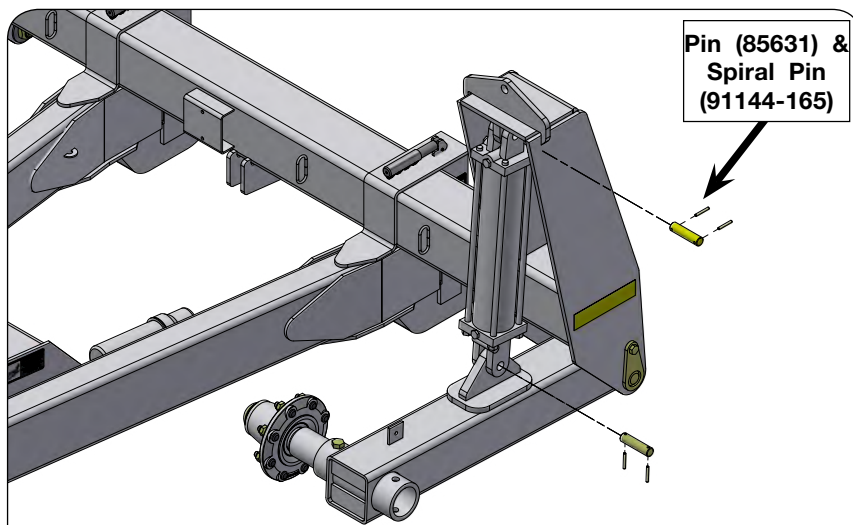
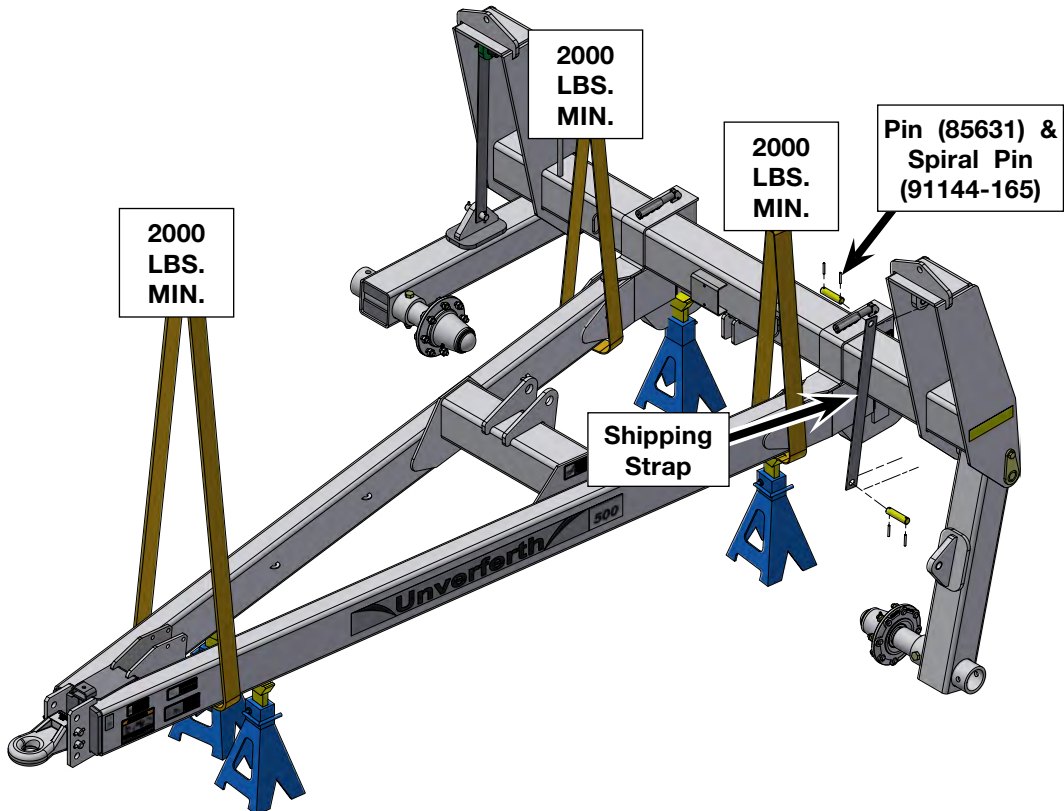
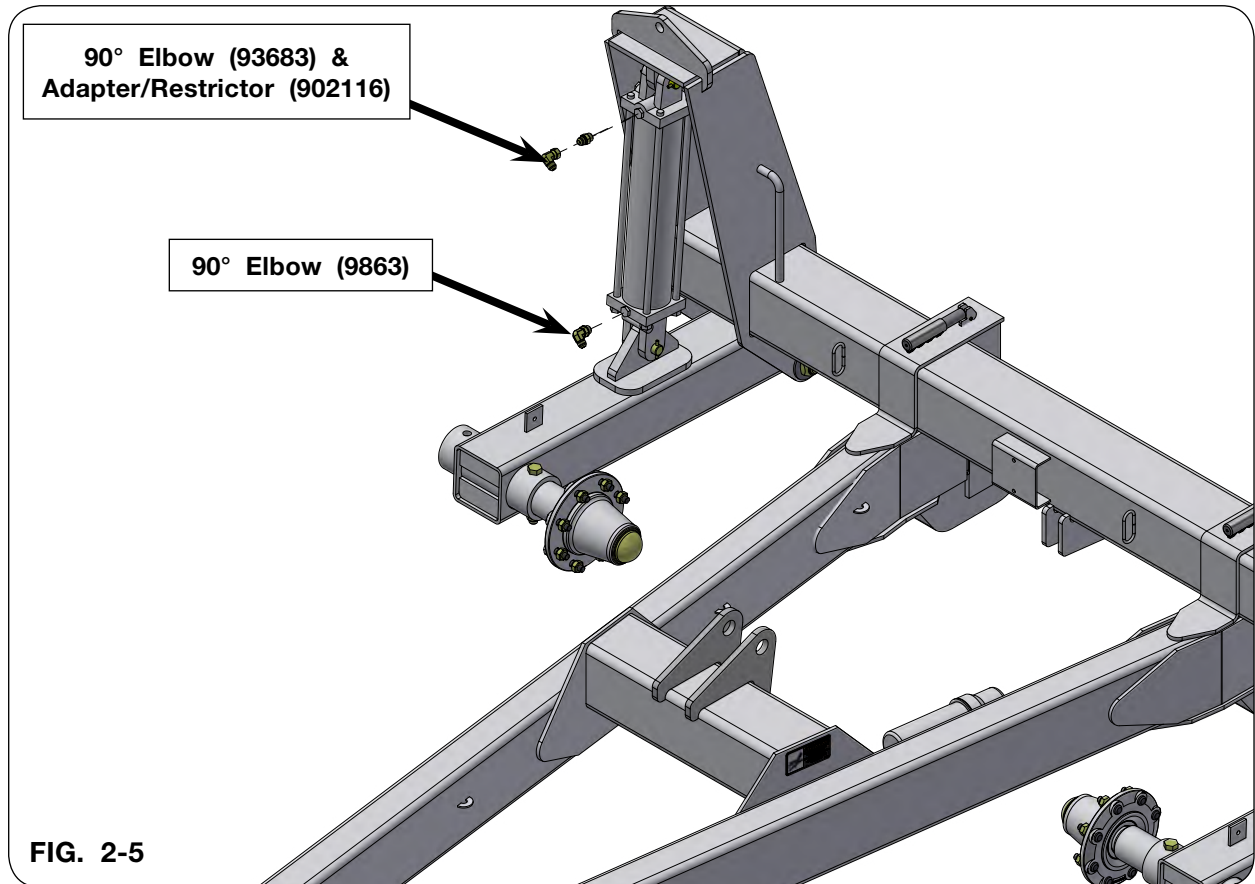


FIG. 2-4

Hydraulic Assembly (continued)

6. Remove the hydraulic fittings from the parts box. Attach the adapters/restrictors 3/4"-16 JIC Male x 3/4"-16 O-Ring Male (902116) and 90° elbows 3/4"-16 JIC Male x 3/4"-16 JIC Female (93683) to the base end of the cylinders as shown in FIG. 2-5.
7. Fasten the 90° elbows 3/4"-16 JIC Male x 3/4"-16 O-ring Male (9863) to the rod end of the cylinders as shown in FIG. 2-5.

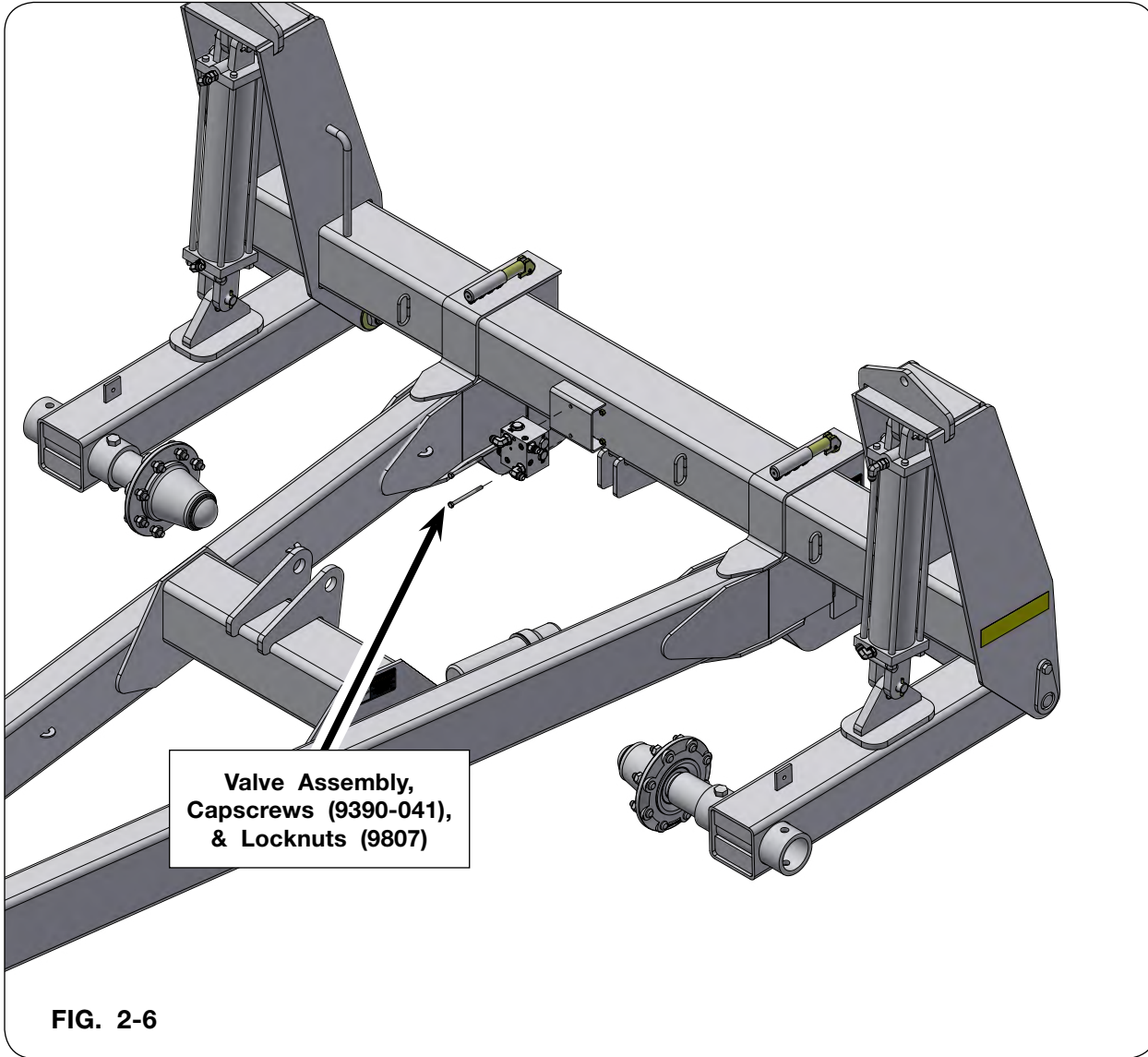


IMPORTANT

- Do not use teflon tape or thread sealant as all fittings have mechanical or O-ring seals. This prevents contamination from tape or thread sealants entering the tractor's hydraulic system.

Hydraulic Assembly (continued)

8. From the parts box, remove and attach the valve assembly to the rear of the frame with two 5/16"-18UNC x 3 3/4" capscrews (9390-041) and 5/16"-18UNC locknuts (9807). (FIG. 2-6)



Hydraulic Assembly (continued)

9. Attach the 48" long hose (9504083) to the 90° elbow 3/4"-16 JIC Male x 3/4"-16 O-ring Male (9863) on the rod end of the right-hand cylinder as shown in FIG. 2-7. Connect the other end of the hose to the valve assembly labeled "F".
10. Secure the 60" long hose (93685) to the 90° elbow 3/4"-16 JIC Male x 3/4"-16 JIC Female (93683) on the base end of the right-hand cylinder as shown in FIG. 2-7. Connect the other end of the hose to the valve assembly labeled "E".
11. Attach the 60" long hose (93685) to the 90° elbow 3/4"-16 JIC Male x 3/4"-16 O-ring Male (9863) on the rod end of the left-hand cylinder as shown in FIG. 2-7. Connect the other end of the hose to the valve assembly labeled "D".
12. Secure the 72" long hose (9001289) to the 90° elbow 3/4"-16 JIC Male x 3/4"-16 JIC Female (93683) on the base end of the left-hand cylinder as shown in FIG. 2-7. Connect the other end of the hose to the valve assembly labeled "C".
13. Connect the 229" long hoses (95803) to the valve assembly labeled "A" & "B" (FIG. 2-7).

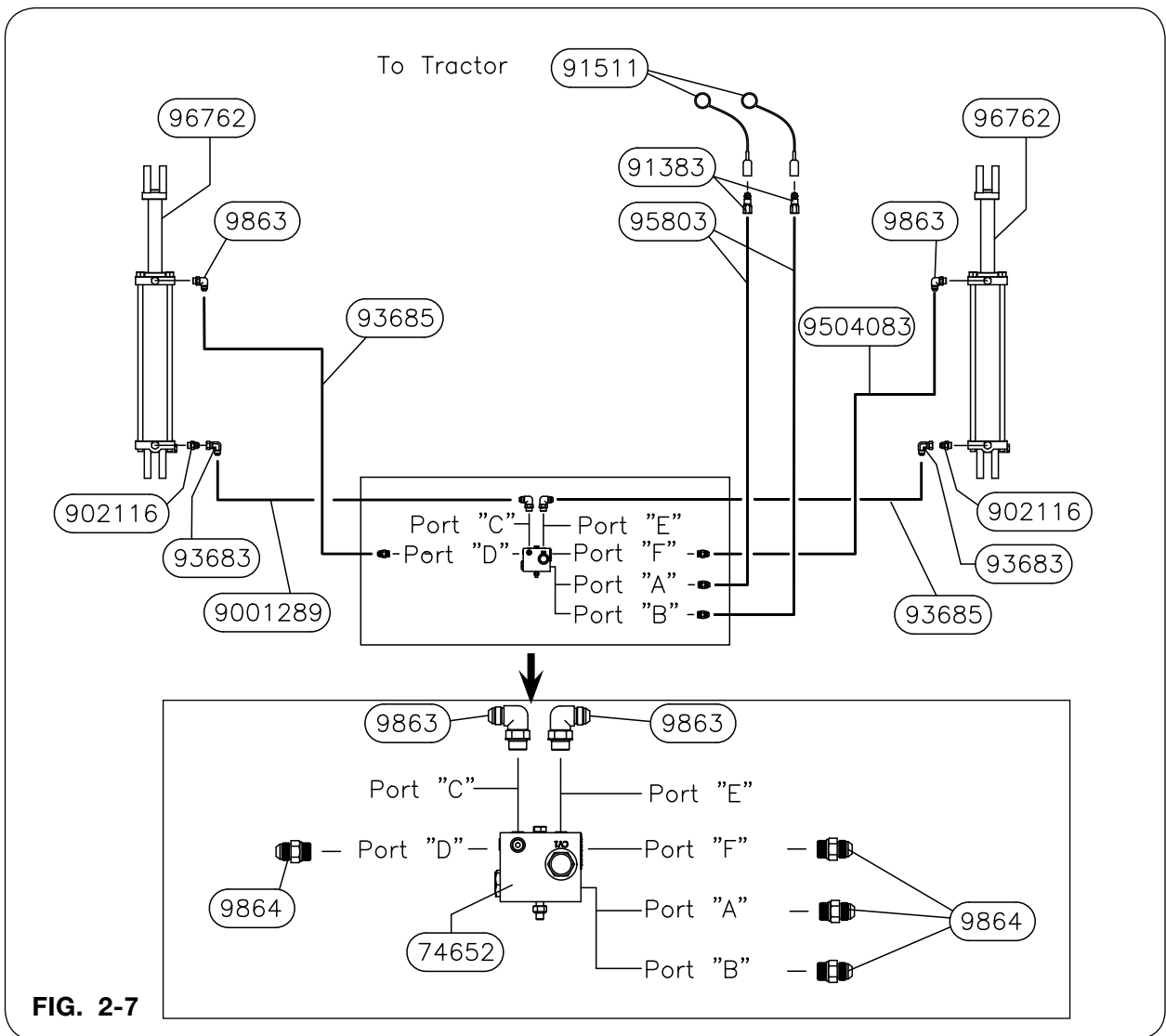
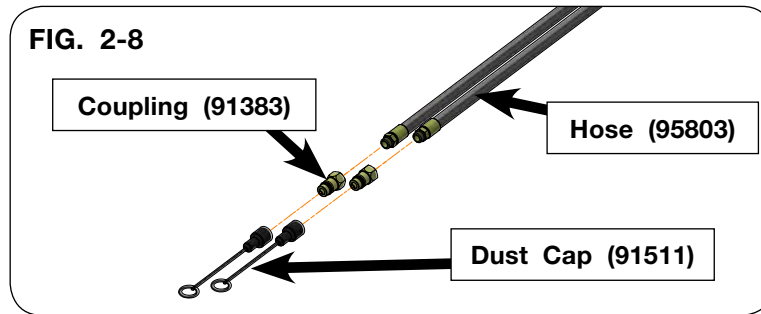


FIG. 2-7

Hydraulic Assembly (continued)

15. Attach the dust caps (91411) and male tip couplings (91383) to the 229" long hoses (95803) as shown in FIG. 2-8.



Purging Hydraulic System

WARNING

- RELIEVE THE HYDRAULIC SYSTEM OF ALL PRESSURE BEFORE ADJUSTING OR SERVICING. SEE THE HYDRAULIC POWER UNIT OPERATOR'S MANUAL FOR PROPER PROCEDURES.
- HIGH-PRESSURE FLUIDS CAN PENETRATE THE SKIN AND CAUSE SERIOUS INJURY OR DEATH. LEAKS OF HIGH-PRESSURE FLUIDS MAY NOT BE VISIBLE. USE CARDBOARD OR WOOD TO DETECT LEAKS IN THE HYDRAULIC SYSTEM. SEEK MEDICAL TREATMENT IMMEDIATELY IF INJURED BY HIGH-PRESSURE FLUIDS.

1. Purge air from system as follows:

- A. Clear all personnel and objects from the area, including where the machine will have full range of motion during the hydraulic movement. Remove transport locks from the machine.
- B. Pressurize the system and maintain the system at full pressure for at least 5 seconds after the cylinder rods stop moving, or hydraulic motors have completed the required movement. Check that all movements are fully completed.
- C. Check oil reservoir in the hydraulic power source and refill as needed.
- D. Pressurize the system again to reverse the motion of step B. Maintain pressure on the system for at least 5 seconds after the cylinder rods stop moving, or hydraulic motors have completed the required movement. Check that all movements are fully completed.
- E. Check for hydraulic oil leaks using cardboard or wood. Tighten connections according to the "Hydraulic Fitting - Torque and Installation Procedures" in the MAINTENANCE section.
- F. Repeat steps in B, C, D, and E 10-12 times.

Hydraulic Assembly (continued)

Hydraulic System Checks

-- CHECK THE FOLLOWING:

ROUTING OF ALL HOSES -- Hoses should not be kinked, twisted, or rubbing against sharp edges. Be sure to route hoses under the frame where applicable to avoid over-stretching and possible leakage.

FITTING AND CONNECTIONS -- Check for leaks. Refer to "Hydraulic Fitting - Torque and Installation Procedures" in MAINTENANCE section.

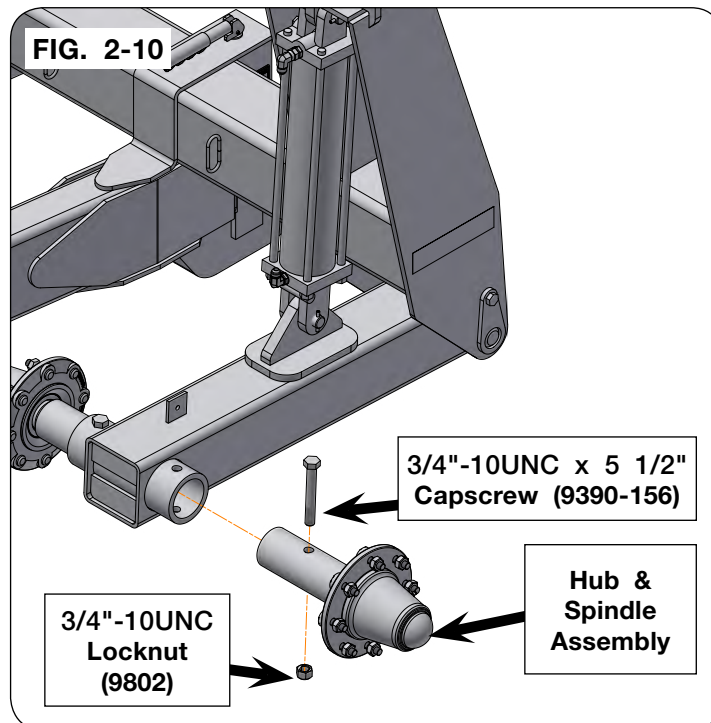
HOSES -- Be sure hoses have room to "Flex" in the hinge area. Hoses must be secured with tie straps.

CYLINDERS -- Check for leaks.

Hub & Spindle Assembly

1. From the parts box, attach the hub and spindle assemblies (66986B) with 3/4"-10UNC x 5 1/2" capscrews (9390-156) and 3/4"-10UNC locknuts (9802) as shown in FIG. 2-10.

NOTE: The caddy comes with the inner hub and spindle assemblies already on the caddy.



Tire & Wheel Assembly

1. Remove the 9/16"-18UNF wheel nuts (91158) from the hub assembly. Attach the mounted tire and wheel assemblies (603247SM) to each axle assembly hub as shown in FIG. 2-11.



CAUTION

- IMPROPERLY TORQUED WHEEL NUTS/BOLTS CAN CAUSE A LOSS OF IMPLEMENT CONTROL AND MACHINE DAMAGE. TORQUE WHEEL NUTS/BOLTS TO VALUES IN THE TABLE. CHECK THE TORQUE BEFORE THE INITIAL USE, AFTER ONE HOUR OF USE, AFTER THE FIRST LOAD AND EACH LOAD UNTIL WHEEL NUTS/BOLTS MAINTAIN THE TORQUE VALUE. CHECK THE TORQUE EVERY 10 HOURS OF USE THEREAFTER. AFTER EACH WHEEL REMOVAL, START THE TORQUE PROCESS FROM THE BEGINNING. WARRANTY IS VOID ON ANY DAMAGE CAUSED BY IMPROPERLY TORQUED WHEEL NUTS/BOLTS.

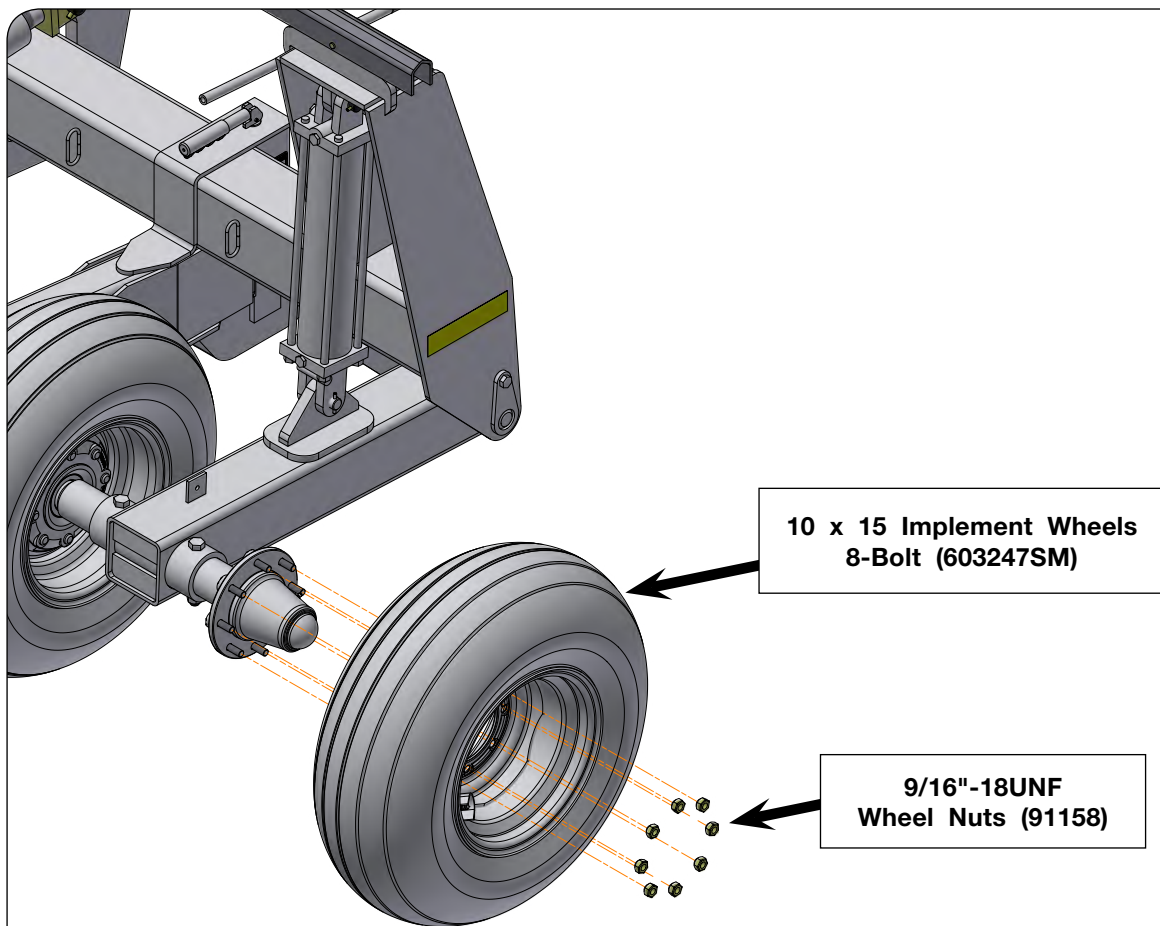
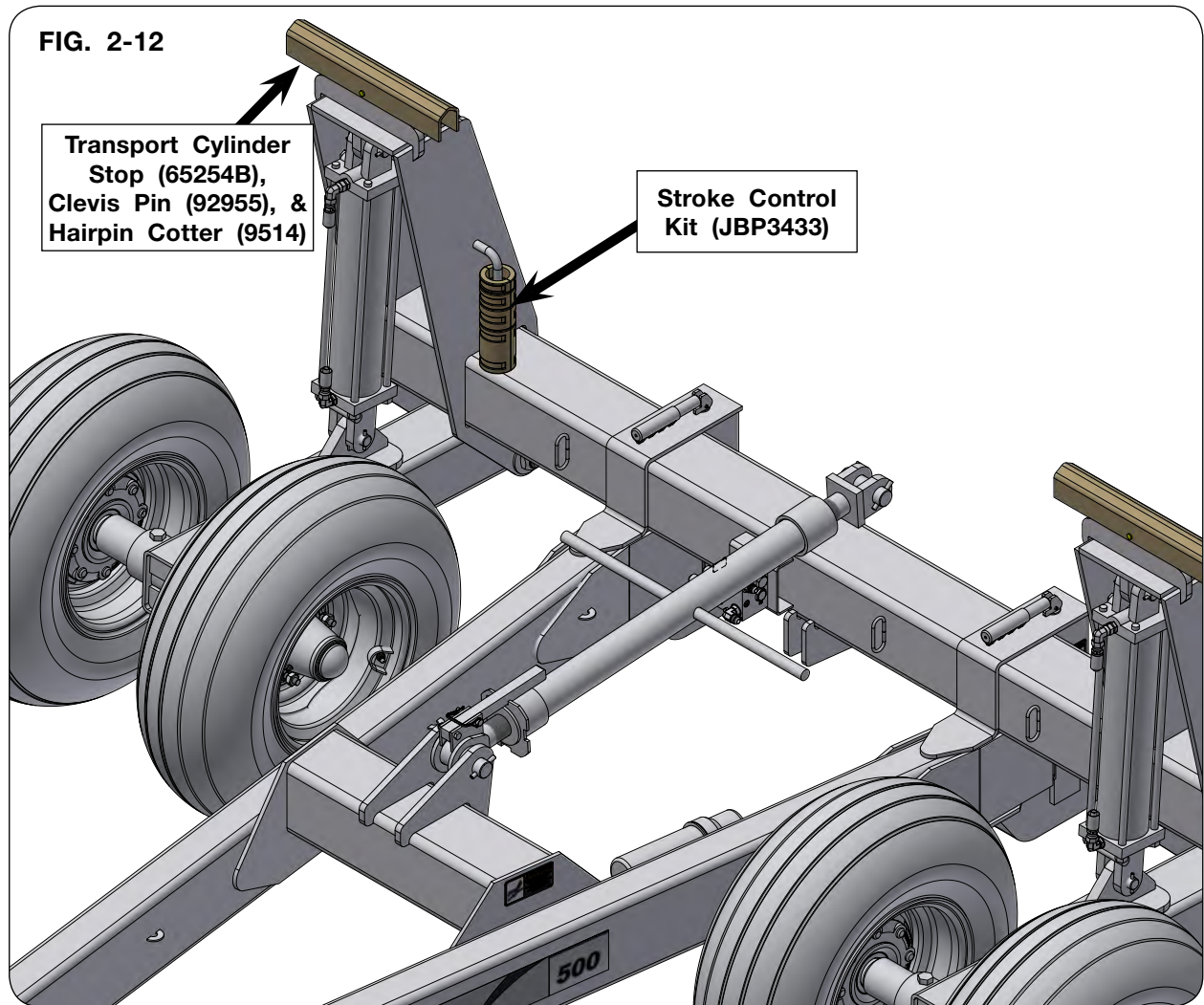


FIG. 2-11

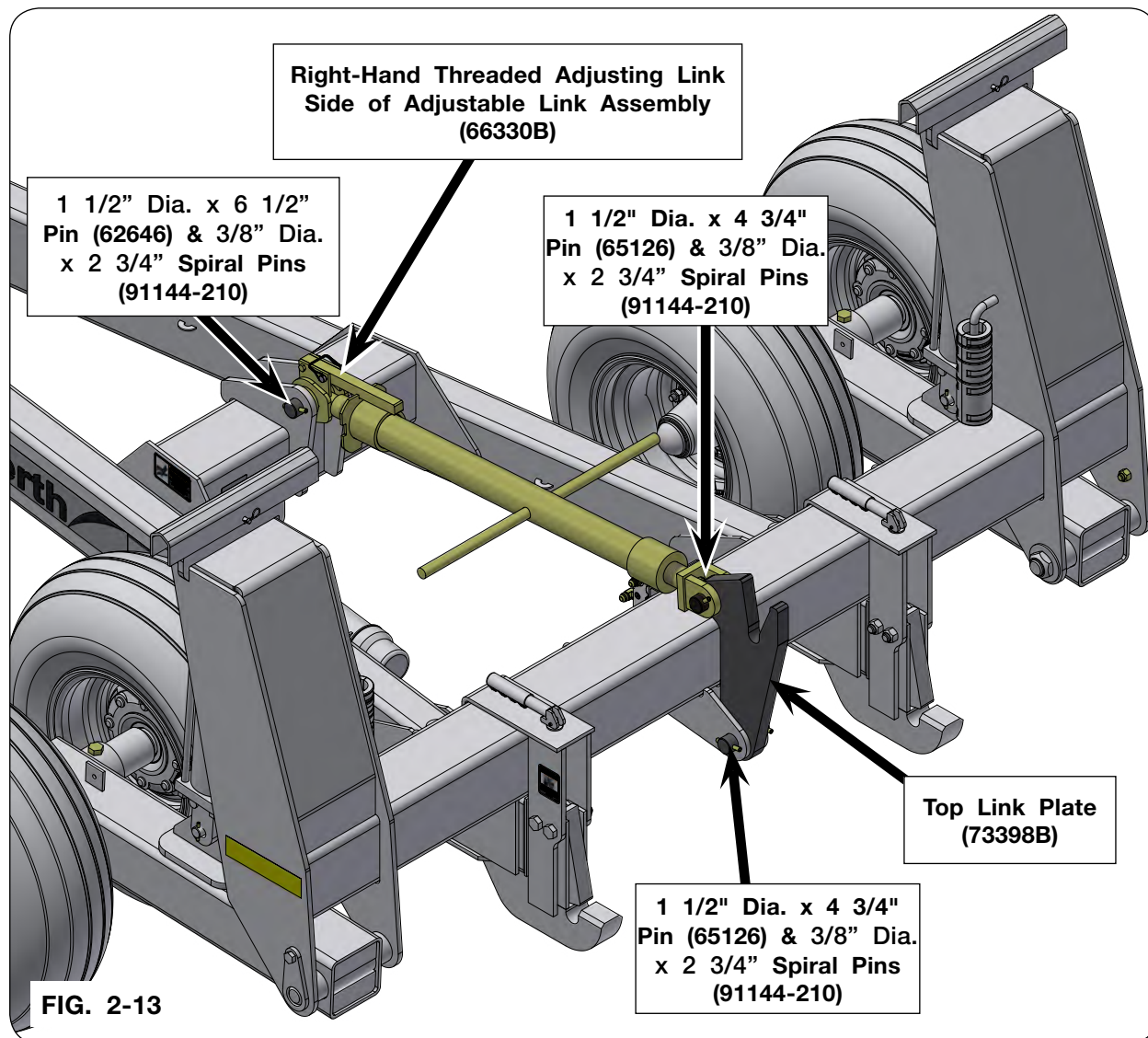
Tire & Wheel Assembly (continued)

2. Attach the transport cylinder stops (65254B) to the top of axle towers as shown in FIG. 2-12 with 3/8" dia. x 3" clevis pins (92955) and 0.092" Dia. x 1 7/8" hairpin cotters (9514).
3. Place the stroke control kit (JBP3433) on the inside of the axle towers as shown in FIG. 2-12.



Adjustable Link Assembly

1. Attach the right-hand threaded adjusting link side of the adjustable link assembly to the middle of the main frame as shown in FIG. 2-13 with a 1 1/2" dia. x 6 1/2" pin (62646) and two 3/8" dia. x 2 3/4" spiral pins (91144-210).
2. Fasten the bottom of the top link plate (73398B) to the rear of the main frame as shown in FIG. 2-13 with a 1 1/2" dia. x 4 3/4" pin (65126) and 3/8" dia. x 2 3/4" spiral pins (91144-210).
3. Connect the left-hand threaded adjusting link side of the adjustable link assembly to the top link plate (73398B) as shown in FIG. 2-13 with a 1 1/2" dia. x 4 3/4" pin (65126) and two 3/8" dia. x 2 3/4" spiral pins (91144-210).



Jack Stand Assembly

1. Install the jack stand weldment (82313) into position between the ears on the front of hitch as shown in FIG. 2-14. Lower jack down into the “PARKED POSITION” and secure using two bent pins 5/8” dia. x 4” (84979) with hairpin cotters.

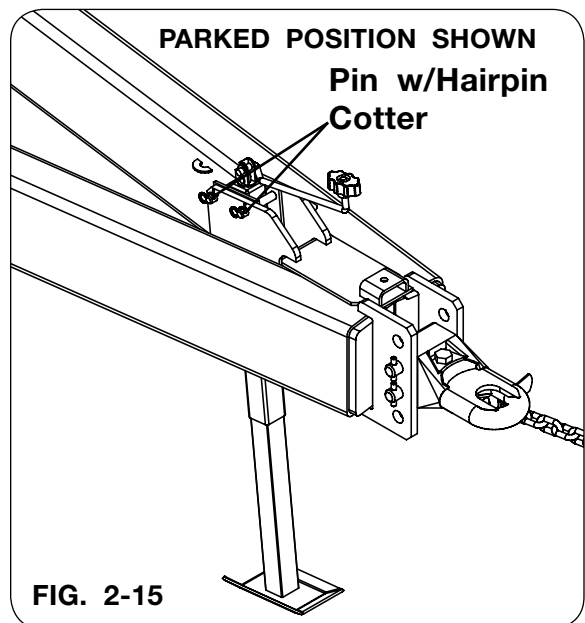
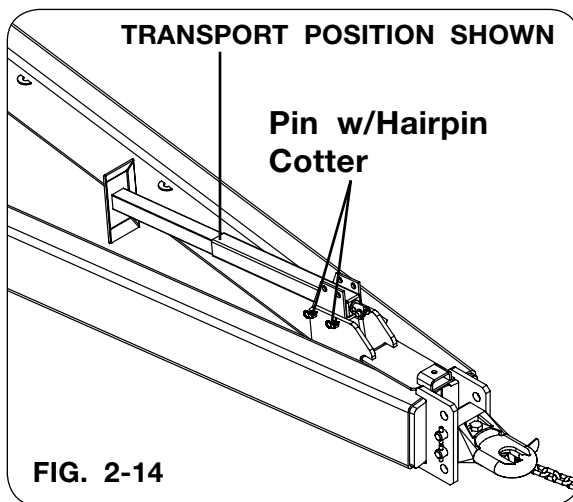
WARNING

- RISING OR FALLING TONGUE CAN CAUSE SERIOUS INJURY OR DEATH. USE JACK TO SUPPORT THE IMPLEMENT BEFORE REMOVING THE HITCH PIN.

IMPORTANT

- Lower tongue jack stand into the “Parked Position” to support front of hitch (FIG. 2-15).

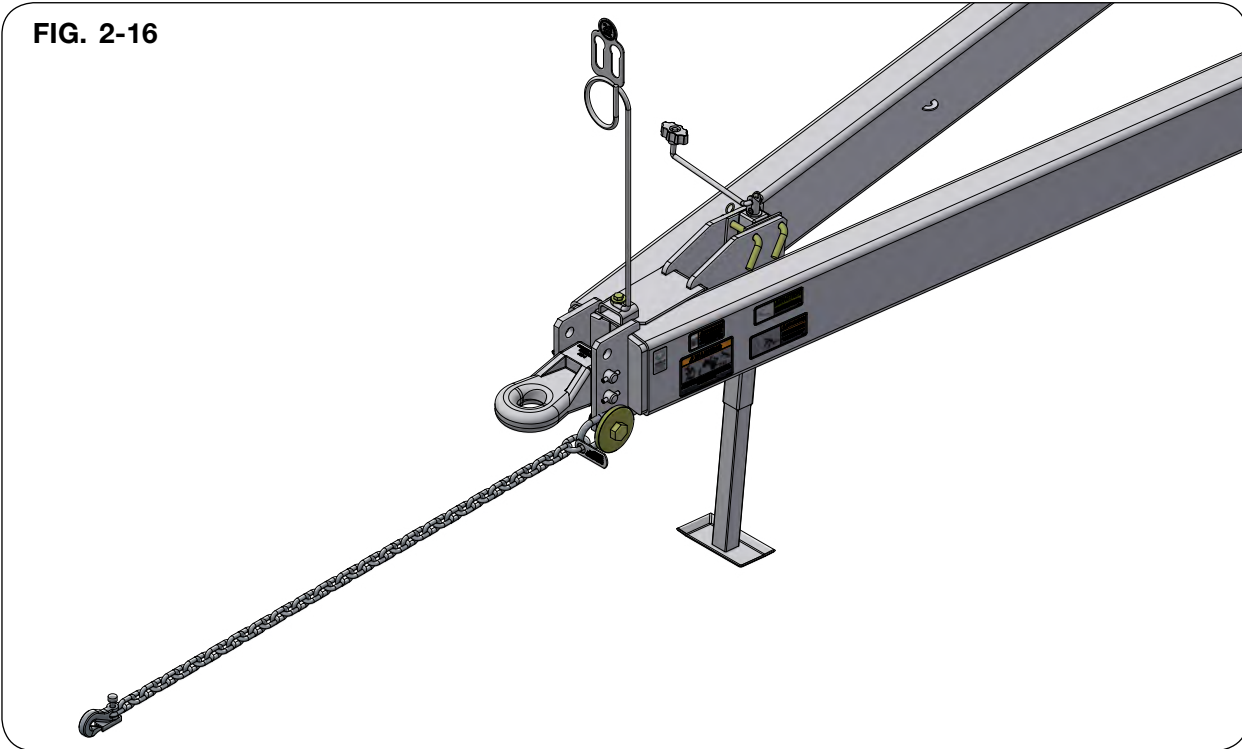
NOTE: If an implement is attached to the rear of the caddy, be sure to lower the unit to the ground before removing the drawbar pin. The added rear implement weight when in the raised position can cause the tongue to suddenly raise upward when removing the drawbar pin.



Hose Holder Assembly

1. Install hose holder (79337B) onto hitch bracket using 1/2"-13UNC x 1 1/2" capscrew (9390-101), 1/2" flat washer (9405-088) and 1/2"-13UNC locknut (9800). See FIG. 2-16.

FIG. 2-16



Transport Chain Assembly

1. Attach transport chain (9003278) to hitch bracket using 1"-8UNC x 3" capscrew (9390-187), 1" washer (106941) and 1"-8UNC locknut (9663) as shown in FIG. 2-17 and FIG. 2-18.

FIG. 2-17

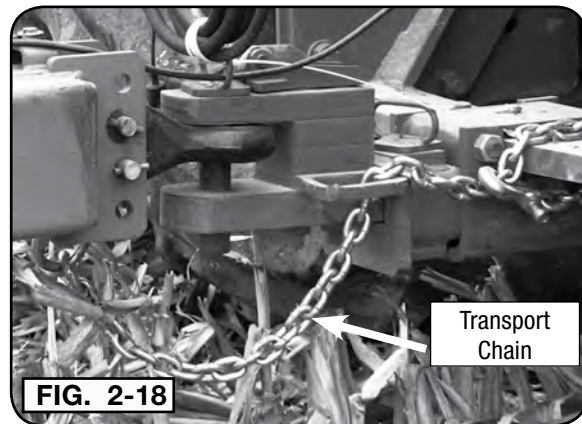
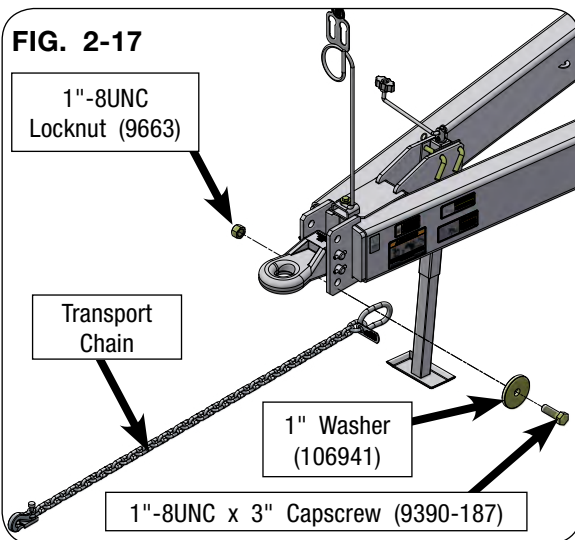
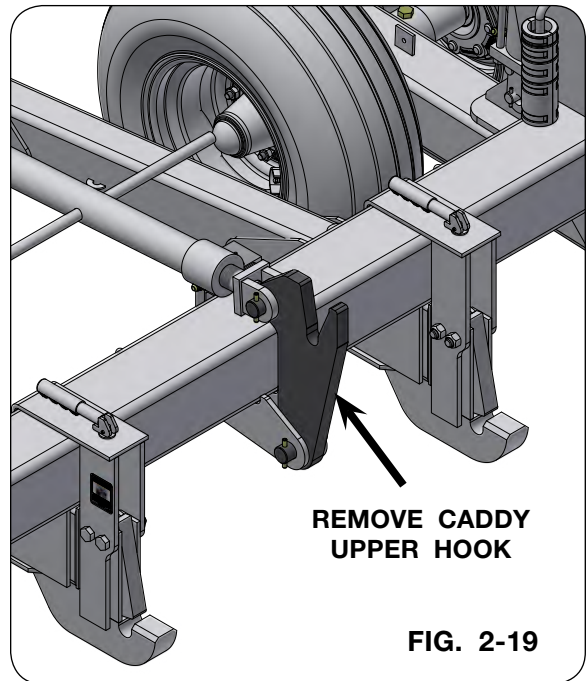


FIG. 2-18

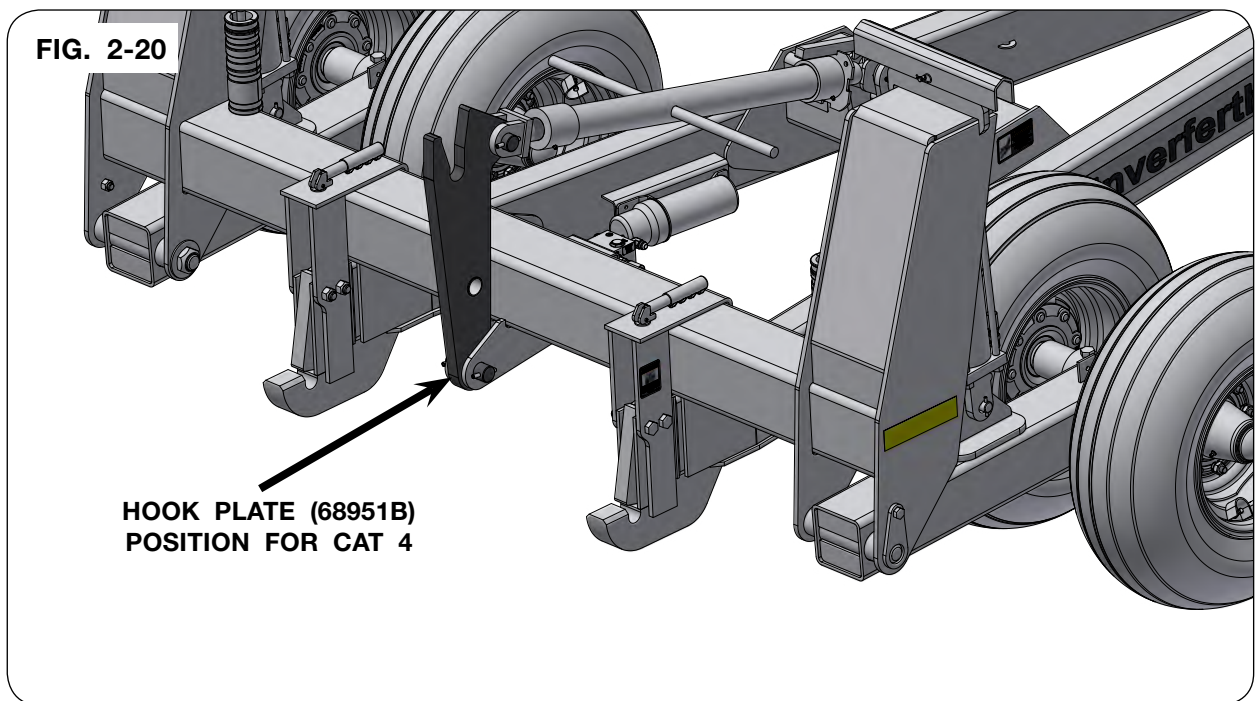
Upper Hook Kit #68965B (Optional)

This optional upper hook allows the CAT 4 position in addition to the CAT 3 and CAT 3N.

1. Remove caddy upper hook (73398B) and save the mounting hardware. (FIG. 2-19)



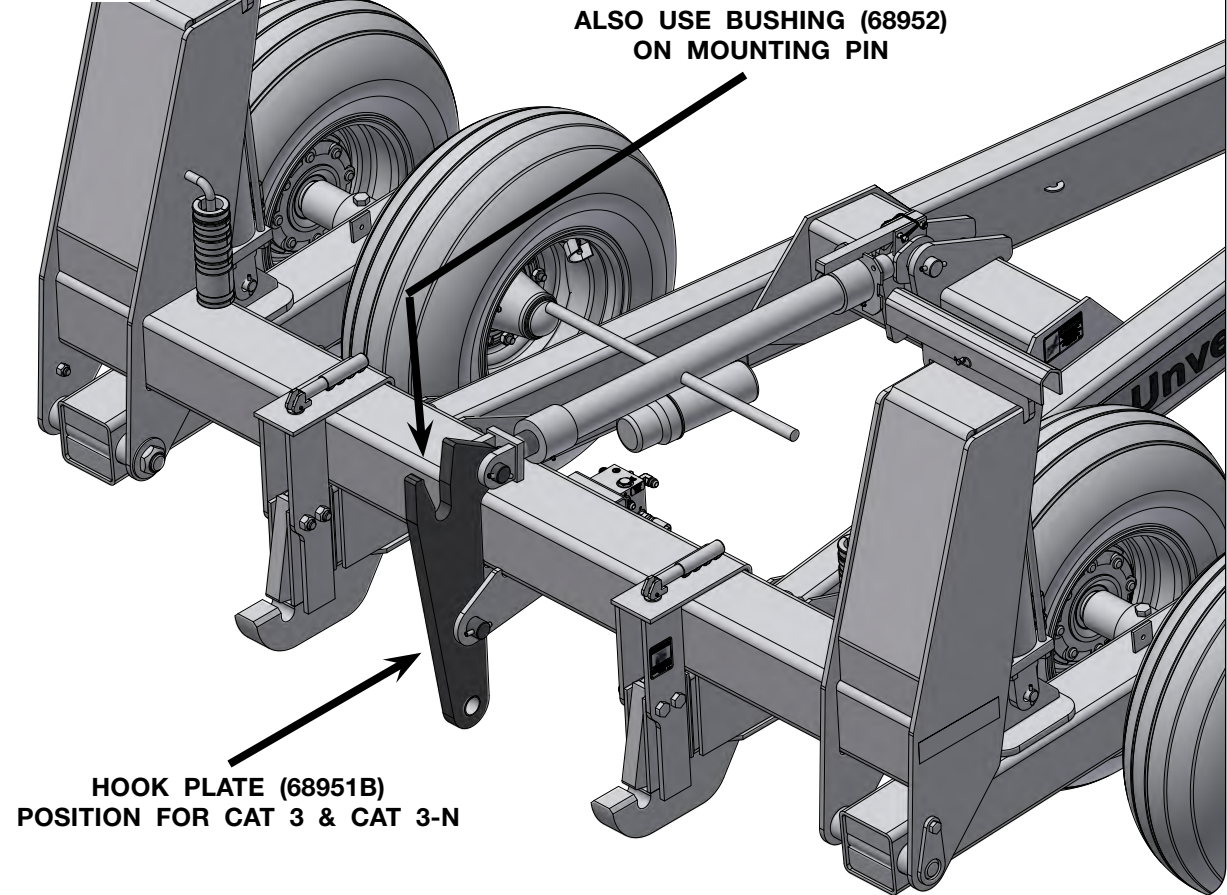
2. Install hook plate (68951B) re-using the existing mounting hardware. (CAT 4 - FIG. 2-20; CAT 3 & CAT 3-N - FIG. 2-21)



Upper Hook Kit #68965B (Optional)

3. Adjust top link to desired length.
4. CAT 3 and CAT 3-N units also uses the bushing (68952) on mounting pin. (FIG. 2-21)

FIG. 2-21



Hydraulic Extension (Optional) Kit #73467B

1. Install straps (73521B and 73522B) using 3/8"-16UNC x 1" cap screws (9390-055) and 3/8"-16UNC locknuts (9928) to the left-hand side rear 7" x 7" caddy cross tube between the upper hook and the wheel tower.
2. Assemble quick coupler (902286) per instructions provided with coupler. The long mounting bar will not be used in this application.
3. Attach the quick coupler (902286) to the brackets using hardware provided with the quick coupler.
4. Install hydraulic fittings (93599) to the rear of the quick coupler.
5. Attach hoses to the fittings on the quick coupler. Route the hoses down the inside of the A-frame on the left-hand side. Secure the hoses to the A-frame using the cable ties provided.
6. Install fittings (91383) and dust caps (91511) to the front end of the hydraulic hoses.

FIG. 2-22

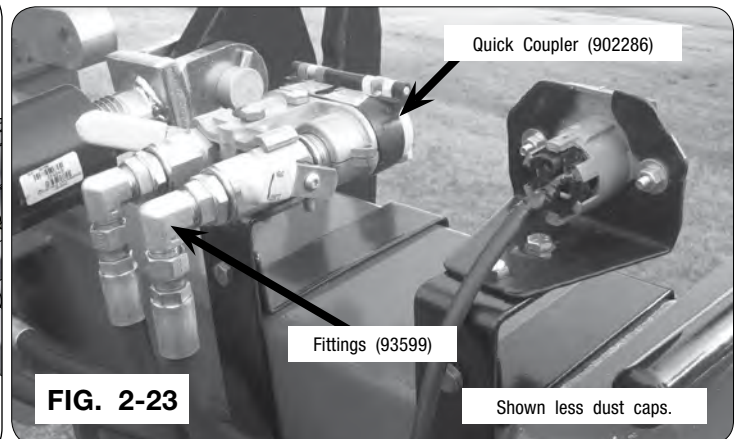
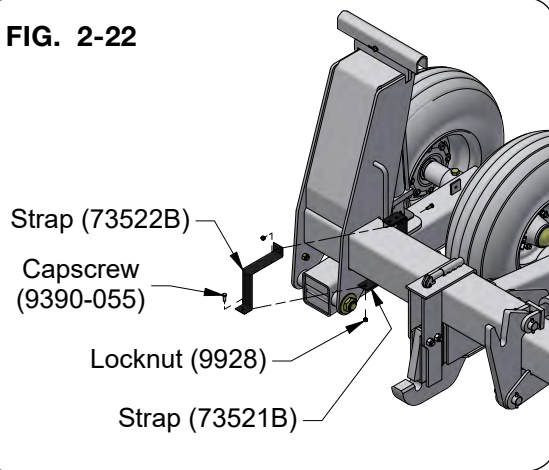
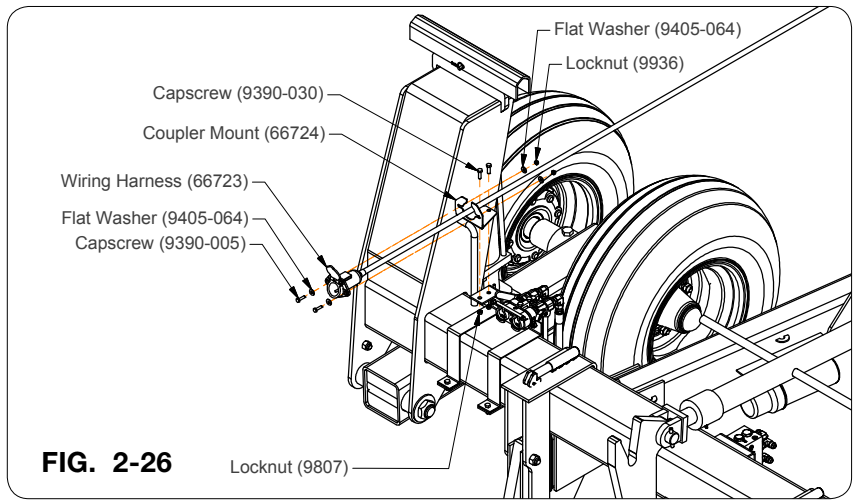
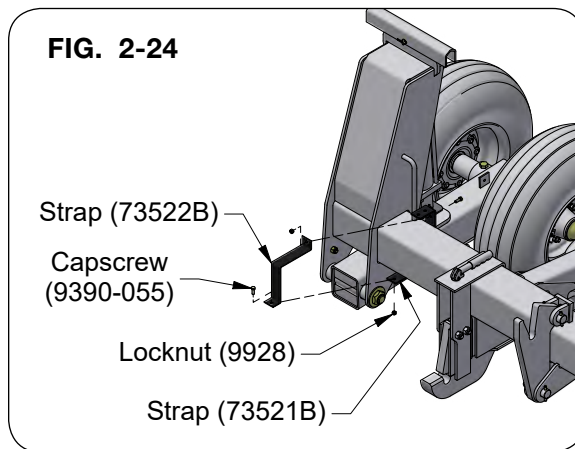


FIG. 2-23

Electrical Extension (Optional) Kit #73523B

1. Install straps (73521B and 73522B) using 3/8"-16UNC x 1" capscrews (9390-055) and 3/8"-16UNC locknuts (9928) to the left-hand side rear 7" x 7" caddy cross tube between the upper hook and the wheel tower.
2. Assemble the coupler mount (66724) to the previously installed brackets using 5/16"-18UNC x 1" capscrews (9390-030) and 5/16"-18UNC locknuts (9807).
3. Attach the female housing end of the electrical wiring harness (66723) to the brackets using 1/4"-20UNC x 1" capscrews (9390-005), 1/4" flat washers (9405-064) and 1/4"-20UNC locknuts (9936).
4. Route the wiring harness (66723) down the inside of the A-frame on the left-hand side. Secure the wiring harness to the A-frame (or hoses if present) using the cable ties provided.



SECTION III

Operation

Operations	3-2
Preparing Tractor	3-2
Front-End Weights	3-2
Drawbar Requirements	3-2
Hydraulic Flow Requirements	3-2
Wheel Spacing	3-3
3-PT. Linkage.....	3-3
Pins and Spiral Pins	3-3
Hydraulics	3-3
Lubrication	3-3
Hitch	3-3
Tires/Wheels.....	3-3
Attaching Caddy to Tractor.....	3-4
Attaching Implement to Caddy.....	3-5
Transport Chain.....	3-6
Hydraulics	3-6
Transporting.....	3-7
Unhitching.....	3-8
Field Adjustments.....	3-8
Leveling Rear Implement.....	3-9

Operations

WARNING

- **READ AND UNDERSTAND SAFETY RULES BEFORE OPERATING OR SERVICING THIS MACHINE. REVIEW “SAFETY” SECTION IN THIS MANUAL IF NECESSARY.**

Read this operation section thoroughly. Acquaint yourself with the adjustments required to obtain efficient and trouble-free operations.

Preparing Tractor

Before operating implement refer to tractor operator’s manual for information concerning safe methods of operation, hydraulics, hitch adjustment, tire inflation, wheel adjustments, and tractor weights.

Check tractor brakes and transport lights. Make sure they are in proper working order.

Check tractor hydraulic oil reservoir and add oil if needed.

WARNING

- **TRANSPORTING THE IMPLEMENT SIGNIFICANTLY CHANGES THE WEIGHT AND BALANCE OF YOUR TRACTOR. MAKE SURE THE TRACTOR IS PROPERLY BALLASTED.**

Front-End Weights

Use front-end weights as needed to provide effective steering control and front-end stability. See your tractor operator’s manual for recommendations on ballasting procedures.

WARNING

- **DO NOT EXCEED THE TRACTOR’S HITCH CAPACITY OR BALLAST RECOMMENDATIONS.**

Drawbar Requirements

The standard drawbar requirement for the caddy is an ASABE CAT 4 spade style drawbar. There is an optional ASABE CAT 5 hitch that may be purchased. See parts pages for optional hitch part numbers. Recommend using the supplied single tang hitch on the caddy, and tractor drawbar equipped with OEM hammer strap. See page 3-4

Hydraulic Flow Requirements

Set the tractor hydraulic flow for the caddy raise and lower function to a minimum of 15 GPM. Operating the hydraulic supply below 15 GPM may cause erratic caddy function.

Preparing Tractor (continued)

Wheel Spacing

The dimension from center of tractor to center of each tire should be the same.

See your tractor operator's manual for correct tire inflation pressure, and instructions for wheel ballast where required.

NOTE: When installing tractor ballast, do not exceed the maximum tire or axle carrying capacity of the tractor with all its attachments.

3-PT. Linkage

Secure tractor 3pt. linkage so that it does not swing into the tractor tires, onto the hoses, or hitch frame.

Pins And Spiral Pins

Before going to the field, check that all pins and spiral pins are in place and in good condition. Replace any worn, damaged, or missing pins and spiral pins.

Hydraulics

Check routing of all hydraulic hoses. Hoses should not be kinked, twisted, or rubbing against sharp edges. Hoses should be secured with tie straps.

Check hoses and fittings for hydraulic leaks. Tighten and/or repair or replace as required. Refer to "Hydraulic Fitting - Torque and Installation Procedures" in MAINTENANCE section.

Lubrication

Lubricate as outlined in MAINTENANCE section.

Hitch

IMPORTANT

- *Before connecting tractor to implement, be sure the hitch pins are assembled correctly and securely. Refer to ASSEMBLY section for proper assembly.*

Caddies are designed to accommodate 3-point implements with CAT 3 hitch.

Refer to MAINTENANCE section for proper servicing procedures.

Tires/Wheels

Check tire pressures and maintain at recommended values listed in the MAINTENANCE section of this manual.

For questions regarding new tire warranty, please contact your local original equipment tire dealer. Tire manufacturers' phone numbers and web sites are listed in the MAINTENANCE Section of this manual for your convenience.

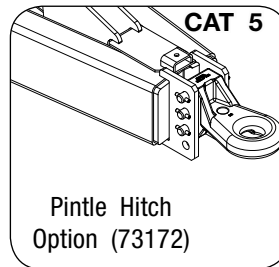
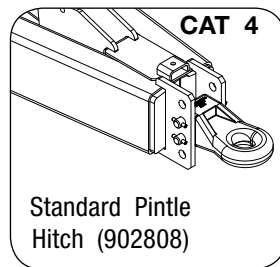
Attaching Caddy to Tractor

⚠ WARNING

- **CRUSHING CAN CAUSE SERIOUS INJURY OR DEATH. DO NOT STAND BETWEEN THE TOWING VEHICLE AND IMPLEMENT WHEN HITCHING. ALWAYS ENGAGE THE PARKING BRAKE AND STOP THE ENGINE BEFORE INSERTING THE HITCH PINS OR SECURING LATCHES.**
- **RISING OR FALLING TONGUE CAN CAUSE SERIOUS INJURY OR DEATH. USE THE JACK TO SUPPORT THE IMPLEMENT BEFORE REMOVING THE HITCH PIN.**

IMPORTANT

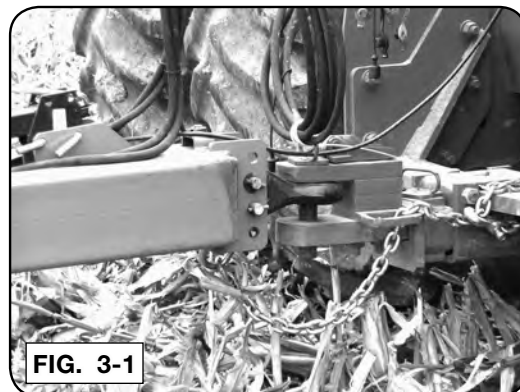
- *Hitch indicates which side is top or bottom for better cushion and wear resistance as shown below.*



With an implement attached to the rear of the caddy, the machine will be rear heavy and tongue light when the CADDY is in the raised position. Support the machine with transport locks and jack stand. Lock hitch pin into position.

NOTE: When no implement is attached to the rear of the caddy, the information above is reversed (rear light and tongue heavy).

1. Adjust hitch jack to match the tractor drawbar height.
2. Align drawbar holes and install proper size and strength hitch pin with locking clip. See tractor operator's manual for additional specifications.
3. Raise hitch jack and rotate into transport position. Secure with pins provided. Raise and lock any support stands.



Attaching Implement To Caddy

WARNING

- **CRUSHING CAN CAUSE SERIOUS INJURY OR DEATH. DO NOT STAND BETWEEN THE TOWING VEHICLE AND IMPLEMENT WHEN HITCHING. ALWAYS ENGAGE THE PARKING BRAKE AND STOP THE ENGINE BEFORE INSERTING THE HITCH PINS OR SECURING LATCHES.**

1. With caddy attached to the tractor, remove the transport locks from the lift cylinders.
2. Position the lower hook latch handles so that the hooks are engaged (the hooks are spring loaded so they can be attached this way).
3. Lower the caddy until the attaching hooks are below the hitch pins of the implement.
4. Back the caddy until the implement pins are aligned to the caddy hooks.
5. Raise the caddy until the lower pins are seated in the caddy hooks and the latches are snapped into place. It may be necessary to adjust the top link to release any binding it may cause while seating the pins into the hooks.

Attaching Implement To Caddy (continued)

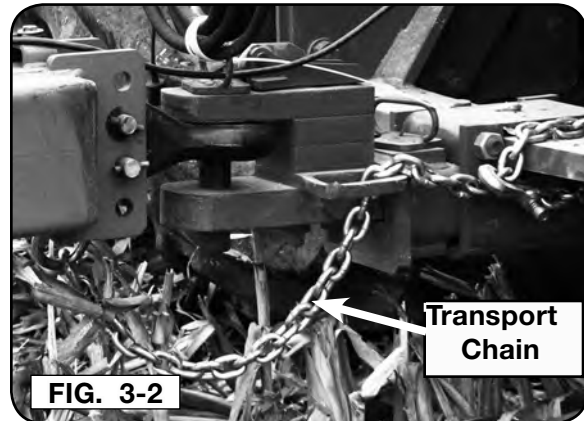
Transport Chain

CAUTION

- ALWAYS USE TRANSPORT CHAIN WHEN TRANSPORTING IMPLEMENTS. FAILURE TO USE A TRANSPORT CHAIN COULD CAUSE PERSONAL INJURY OR DAMAGE IF IMPLEMENTS BECOME DISENGAGED.

Tractor must be equipped with a transport chain support. Always use intermediate support when connecting CADDY directly to a tractor. DO NOT use the intermediate support as the chain attaching point. FIG. 3-2 shows how the transport chain must be installed between CADDY and tractor.

Transport chain should have a test strength equal to the gross weight of the implement and all the attachments. Use ONLY ASABE approved chains.



Hydraulics

1. Connect hydraulic hoses to the tractor hydraulic outlets.

NOTE: Refer to ASSEMBLY section for proper routing of hoses.

HYDRAULIC SYSTEM CHECKS -- CHECK THE FOLLOWING:

WARNING

- HIGH-PRESSURE FLUIDS CAN PENETRATE THE SKIN AND CAUSE SERIOUS INJURY OR DEATH. LEAKS OF HIGH-PRESSURE FLUIDS MAY NOT BE VISIBLE. USE CARDBOARD OR WOOD TO DETECT LEAKS IN THE HYDRAULIC SYSTEM. SEEK MEDICAL TREATMENT IMMEDIATELY IF INJURED BY HIGH-PRESSURE FLUIDS.

Tractor hydraulic flow should be set between 12-15 GPM. Settings that are too high or too low can adversely affect flow divider valve function.

ROUTING OF ALL HOSES - Hoses should not be kinked, twisted, or rubbing against sharp edges.

FITTING AND CONNECTIONS - Check for leaks. Refer to "Hydraulic Fitting - Torque and Installation Procedures" in MAINTENANCE section.

HOSES - Check all hoses for leaks. Be sure hoses have room to "Flex". Hoses must be secured with tie straps.

2. Raise unit and install wheel cylinder transport locks on both sides of the CADDY.

Transporting

IMPORTANT

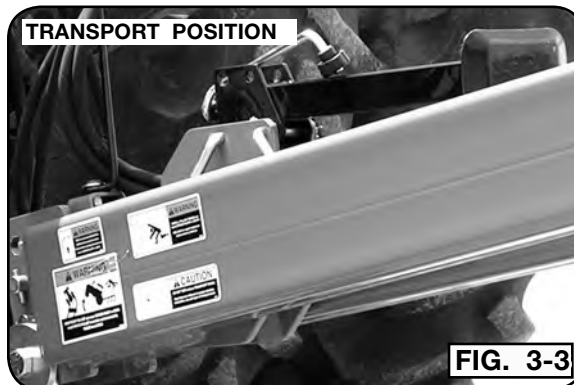
- Before unit is transported, be sure the jack stand is in the "Transport Position" as shown below.

Compliance with all lighting and marking laws is the responsibility of the operator at the time of travel.

See federal regulation 49 CFR 562; available at www.govinfo.gov for US federal law requirements.

See your Unverferth dealer for additional brackets, reflectors, or lights to meet your requirements.

Be sure SMV Emblem, reflectors, and lights are in place and clearly visible to approaching traffic.



⚠ WARNING

- TRANSPORTING THE IMPLEMENT SIGNIFICANTLY CHANGES THE WEIGHT AND BALANCE OF YOUR TRACTOR. MAKE SURE THE TRACTOR IS PROPERLY BALLASTED.
- DO NOT EXCEED THE TRACTOR'S LIFT CAPACITY OR BALLAST RECOMMENDATIONS.

⚠ CAUTION

- USE APPROVED ACCESSORY LIGHTS, REFLECTORS AND DEVICES WHEN TRANSPORTING AT NIGHT AND DURING PERIODS OF POOR VISIBILITY.

Before transporting, be certain tractor is properly ballasted and the tractor drawbar has adequate strength to support load. Allow additional time and distance for stopping.

For safe transporting of this implement, the transport speed should never exceed 10 m.p.h. in the field or over rough terrain (20 m.p.h. on road). Reduce transport speed to maintain full control of the implement and tractor at all times.

Unhitching

⚠ WARNING

- **RISING OR FALLING TONGUE CAN CAUSE SERIOUS INJURY OR DEATH. USE THE JACK TO SUPPORT THE IMPLEMENT BEFORE REMOVING THE HITCH PIN.**
- **RELIEVE HYDRAULIC SYSTEM OF ALL PRESSURE BEFORE ADJUSTING OR SERVICING. SEE TRACTOR OPERATOR'S MANUAL FOR PROPER PROCEDURES.**

When an implement is attached to CADDY, the unit will be rear heavy and tongue light. The caddy must be lowered until the attached implement is resting on the ground or its own rest stands. Support the caddy with the jack.

Without additional implement attached, the caddy will be rear light and tongue heavy when in the raised position. Support the machine with transport locks and jack stand. Support the machine when removing the hitch pin.

NOTE: Do not unhitch an unloaded caddy in the lowered position. The caddy will be rear heavy and tongue light.

Depressurize the hydraulic system, disconnect hoses from tractor, and install dust covers on the couplers. Remove hitch pin.

Field Adjustments

IMPORTANT

- Refer to *OPERATIONS* and *MAINTENANCE* sections in your implement operator's manual for set-up and adjustment procedures.
- Install cylinder stop spacers equally on each side.

For best results and performance of cylinder stop spacers, place the thicker spacers next to the cylinder body and clevis. This prevents the thinner spacers from being crushed or distorted.

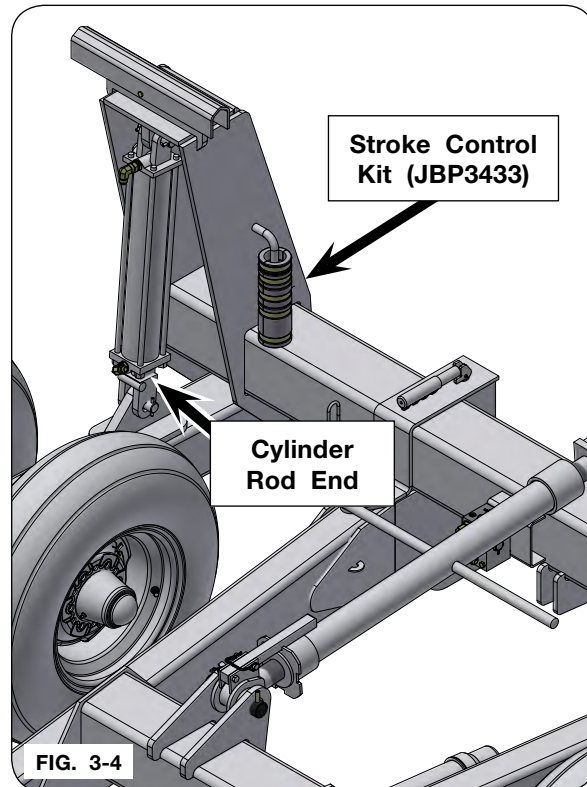


FIG. 3-4

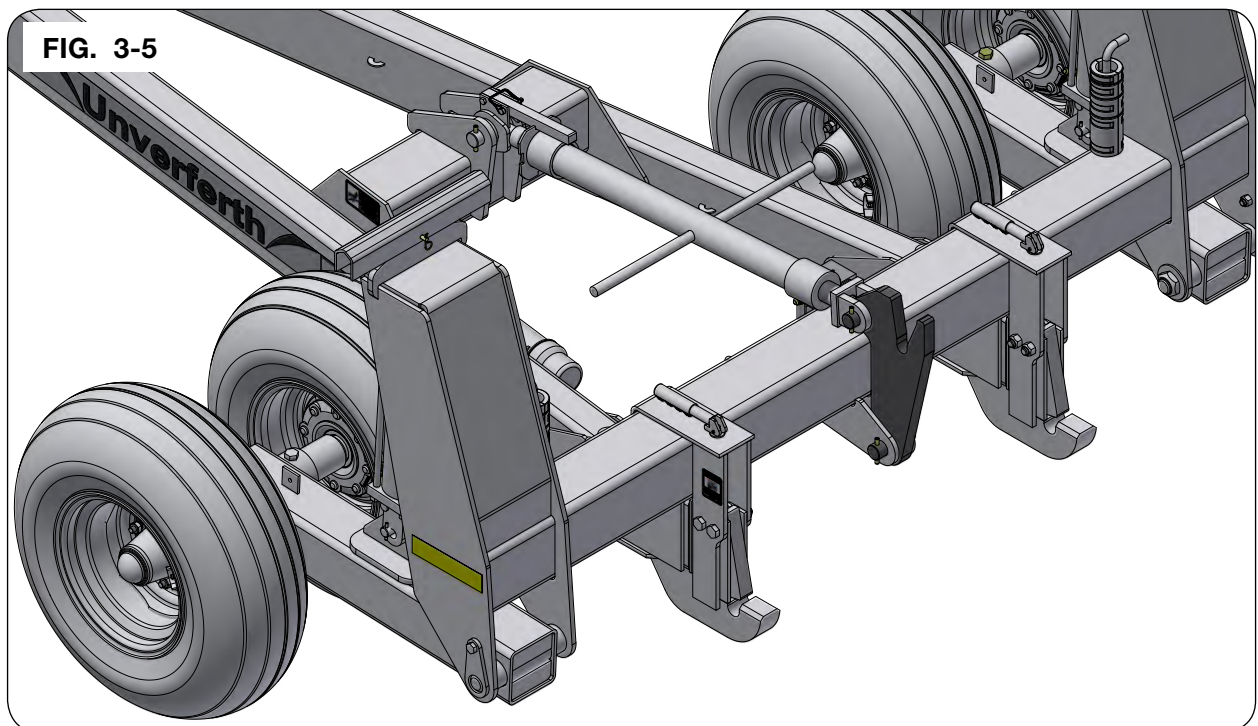
Leveling Rear Implement

The top link of the 3-point hitch can be adjusted to level the attached implement. Remove the snap pin, swing up the lock arm, and turn the adjusting shaft as required to level the implement. Move the lock arm back over the adjuster shaft and replace the snap pin to secure (FIG. 3-5).

Repeat leveling procedures if necessary until the desired working depth and shank angle is obtained.

NOTE: If adjustable link arm is hard to adjust, lower the implement to take the weight off the adjustable link arm for easier adjustment.

NOTE: Optional rear hook assembly (66987B) required for some implements that are not designed to accommodate the swing arm.



Notes

SECTION IV

Maintenance

Lubrication.....	4-2
Wheel Bearings	4-2
Adjustable Link.....	4-2
Hub Assembly.....	4-2
Hydraulic System.....	4-3
Storage.....	4-4
Latch Adjustment Procedure.....	4-4
Troubleshooting	4-6
Wheels and Tires	4-7
Wheel Torque Requirments.....	4-7
Tire Pressure	4-7
Tire Warranty	4-8
Torque Chart	4-8
Hydraulic Fitting - Torque and Installation Procedures.....	4-9

Lubrication

Wheel Bearings

The wheel bearings should be cleaned, repacked and adjusted once per season. Use a number 2 wheel bearing grease to repack the bearings and adjust the bearing to a free-rolling fit with no end play. Refer to "Hub Assembly" listed below.

Adjustable Link

Grease the link every 50 hours during use and at the end of each season. Turn adjustable link two full turns in each direction to ensure threads do not seize.

Hub Assembly

1. Use grease to lubricate the seal lip.
2. Place the hub onto the spindle. **ROTATE THE HUB WHILE DOING THIS SO THE SEAL LIP DOES NOT FOLD UNDER AS THE LIP GOES ON THE SEAL LIP OF THE SPINDLE.**
3. Be sure the outer cone slides on the spindle and into the cup.
4. Assemble the washer and nut onto the spindle and tighten the nut to 20-25 ft-lbs. **ROTATE THE HUB WHILE TIGHTENING THE NUT.**
5. Back off the nut until it becomes loose.
6. While rotating the hub retighten nut to remove all **CLEARANCE**. Line up the next slot in the nut with the hole in the spindle. Insert the cotter pin and bend the cotter pin.
7. Insert the hub cap.

Hydraulic System

Refer to parts section for hydraulic component detail listing.

When properly assembled and maintained, the hydraulic system of the CADDY requires little maintenance.

Replacing Hoses/Fittings/Cylinders:

1. Use replacement hoses, fittings, and cylinders from your Unverferth Manufacturing dealer which are rated for 3000 psi.
2. Do not use hoses, fittings and cylinders that have pipe threads.
3. Do not use teflon tape or thread sealant on JIC or O-ring fittings. Tighten fittings per "Hydraulic Fitting - Torque and Installation Procedures" in MAINTENANCE section.
4. When replacing hoses, always allow sufficient slack to permit hoses to move through the full range of motion of the cylinders.
5. Always purge the hydraulic system after servicing. See ASSEMBLY section for details.

WARNING

- **RELIEVE HYDRAULIC SYSTEM OF ALL PRESSURE BEFORE ADJUSTING OR SERVICING. SEE HYDRAULIC POWER UNIT OPERATOR'S MANUAL FOR PROPER PROCEDURES.**
- **HIGH-PRESSURE FLUIDS CAN PENETRATE THE SKIN AND CAUSE SERIOUS INJURY OR DEATH. LEAKS OF HIGH-PRESSURE FLUIDS MAY NOT BE VISIBLE. USE CARDBOARD OR WOOD TO DETECT LEAKS IN THE HYDRAULIC SYSTEM. SEEK MEDICAL TREATMENT IMMEDIATELY IF INJURED BY HIGH-PRESSURE FLUIDS.**
- **HYDRAULIC SYSTEM MUST BE PURGED OF AIR BEFORE OPERATING TO PREVENT SERIOUS INJURY OR DEATH.**

Storage

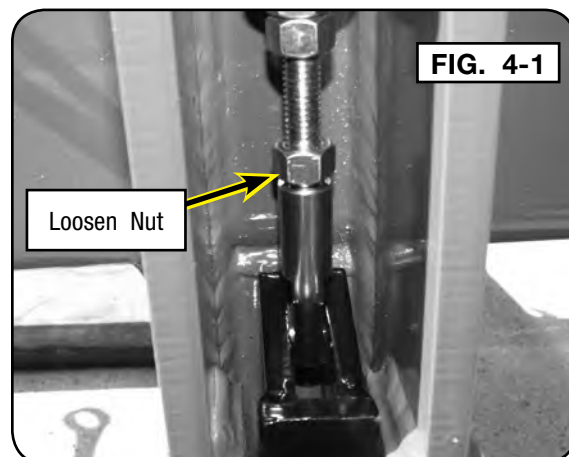
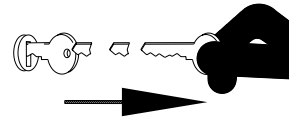
Your implement is an important investment. Spend a little time to protect it from destructive rust and corrosion. You will be repaid in longer service life and better performance.

Perform the following before placing the implement in storage:

1. Remove dirt and trash which could cause rusting.
2. Repaint any chipped or scraped areas.
3. Coat all unpainted surfaces with grease or suitable rust preventative.
4. Inspect for damage or worn parts. Replace before next season.
5. Store implement inside, away from livestock.
6. Use blocking to keep implement tires off from bare ground.
7. Replace any reflectors or decals that have become worn, torn, or faded.

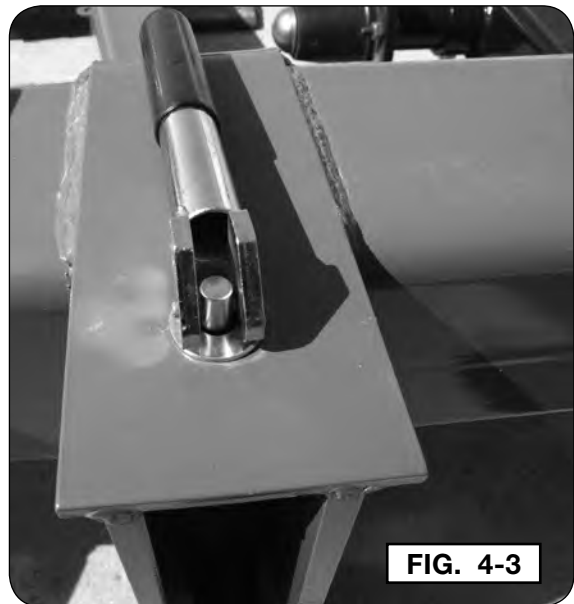
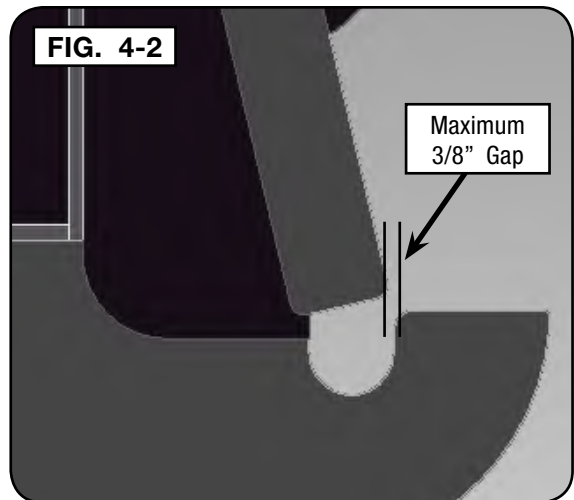
Latch Adjustment Procedure

1. Park the unit on a firm, level surface. Properly detach any three point implement from the caddy. Lower the caddy onto the transport stops. Block the wheels on the machine to keep it from moving. Set the vehicle parking brake, shut off the engine and remove the ignition key.
2. Loosen the lower nut (FIG. 4-1).



Latch Adjustment Procedure (continued)

3. Rotate handle to achieve the correct gap.
Make sure the handle is facing forward.
4. Tighten the lower nuts.



Troubleshooting

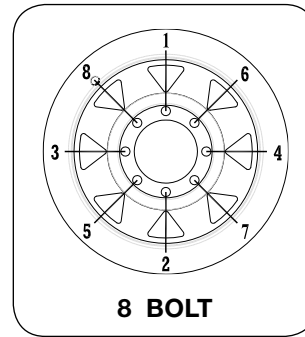
PROBABLE CAUSE	CORRECTION
IMPLEMENT RUNNING CROOKED IN THE FIELD	
Depth cylinder stroke control spacer missing	See OPERATIONS section “Working Depth” and “Leveling Hitch” in OPERATIONS section
Tires not equally inflated	Find the cause and correct
HYDRAULICS NOT FUNCTIONING PROPERLY	
Incorrect hose hook-up to tractor control levers	Refer to tractor operator’s manual for valve and control lever arrangement
Insufficient tractor hydraulic pressure	A. Check hydraulic reservoir oil level B. Refer to tractor operator’s manual for hydraulic system recommendations
Hydraulic components leaking oil	Find cause and correct, see OPERATIONS section “Hydraulics”
Hydraulic hoses kinked or twisted	Find cause and correct. Repair or replace cylinders.
Malfunction of hydraulic cylinders	See PARTS section for cylinder or seal kit part numbers
Implement will not raise or lower evenly due to hydraulics not being completely cycled	Raise implement completely until implement is level
Implement lowers unevenly	Be sure hoses are properly routed from valve to cylinders
Implement raises unevenly	Tractor hydraulic flow should be set between 12-15 GPM. Settings that are too high or too low can adversely affect flow divider valve function.
EXCESSIVE HITCH WEAR	
Hitch has excessive wear	Refer to the PARTS section “Hitch Components” for correct positioning of hitch.

Wheels and Tires

Wheel Torque Requirements

Failure to check torque before first use may damage wheel nut/bolt seats. Once seats are damaged, it will become impossible to keep nuts/bolts tight. Tighten nuts/bolts to the applicable torque value shown below. Start all nuts/bolts by hand to prevent cross threading. Torque nuts/ bolts in the recommended sequence as shown in Diagram 1.

WHEEL HARDWARE	
SIZE	FOOT-POUNDS
9/16-18 (UNF)	110 FT.-LBS.



8 BOLT
DIAGRAM 1

CAUTION

- **IMPROPERLY TORQUED WHEEL NUTS/BOLTS CAN CAUSE A LOSS OF IMPLEMENT CONTROL AND MACHINE DAMAGE. TORQUE WHEEL NUTS/BOLTS TO VALUES IN TABLE. CHECK TORQUE BEFORE INITIAL USE, AFTER ONE HOUR OF USE, AND EACH HOUR UNTIL WHEEL NUTS/BOLTS MAINTAIN TORQUE VALUE. CHECK TORQUE EVERY 10 HOURS OF USE THEREAFTER. AFTER EACH WHEEL REMOVAL START TORQUE PROCESS FROM BEGINNING. WARRANTY IS VOID ON ANY DAMAGE CAUSED BY IMPROPERLY TORQUED WHEEL NUTS/BOLTS.**

Tire Pressure

The following is to be used as a **general guide** for tire inflation and figures can vary depending on specific brand of tire used. **It is important that tires are inspected after unit is loaded.** Start with minimum pressure indicated. The tire should stand up with no side-wall buckling or distress as tire rolls. Record the pressure needed to support the full load and maintain this pressure to achieve proper tire life. **Do not exceed maximum recommended tire pressure.**

10 x 15 Implement Wheel (TLIF320/70R15).....70 PSI

Wheels and Tires (continued)

Tire Warranty

For questions regarding new tire warranty, please contact your local original equipment tire dealer. **USED TIRES CARRY NO WARRANTY.** Following are phone numbers and Websites for your convenience:

Firestone www.firestoneag.com
Phone 800-847-3364

Titan
or
Goodyear www.titan-intl.com
Phone 800-USA-BEAR
Fax 515-265-9301

Michelin/
Kleber www.michelinag.com
Phone 888-552-1213
Fax 864-458-5538

Carlisle www.carlisletire.com
Phone 800-260-7959
Fax 800-352-0075

Greenball www.greenball.com
Phone nearest location:
California 800-937-5204
Georgia 800-283-4569
Florida 800-935-0200
Indiana 800-426-4068
Tennessee 800-946-9412
Ohio 800-840-7295
Pennsylvania 800-869-6787

Complete Torque Chart - Capscrews - Grade 5

IMPORTANT

- Grade 5 capscrews can be identified by three radial dashes on head.
- Tighten U-bolts to have the same number of threads exposed on each end.

SIZE	FOOT POUNDS	NEWTON METERS	SIZE	FOOT POUNDS	NEWTON METERS
1/4-20	8-10	11-13	3/4-10	200-220	270-300
1/4-28	9-11	12-15	3/4-16	210-230	285-310
5/16-18	15-17	20-23	7/8-9	330-350	425-475
5/16-24	17-19	23-26	7/8-14	360-380	460-515
3/8-16	25-28	34-38	1-8	500-525	675-710
3/8-24	28-31	38-42	1-14	540-560	730-760
7/16-14	40-45	54-61	1 1/8-7	600-635	815-860
7/16-20	45-50	61-68	1 1/8-12	665-700	920-950
1/2-13	62-68	84-92	1 1/4-7	850-895	1150-1215
1/2-20	68-75	92-102	1 1/4-12	940-990	1275-1340
9/16-12	90-98	22-133	1 3/8-6	1125-1175	1525-1590
9/16-18	100-110	134-148	1 3/8-12	1280-1335	1735-1810
5/8-11	120-135	162-183	1 1/2-6	1500-1560	2035-2115
5/8-18	124-137	168-186	1 1/2-12	1685-1755	2285-2380

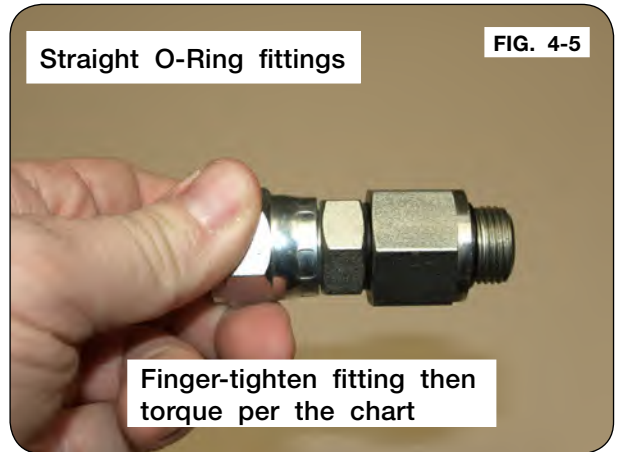
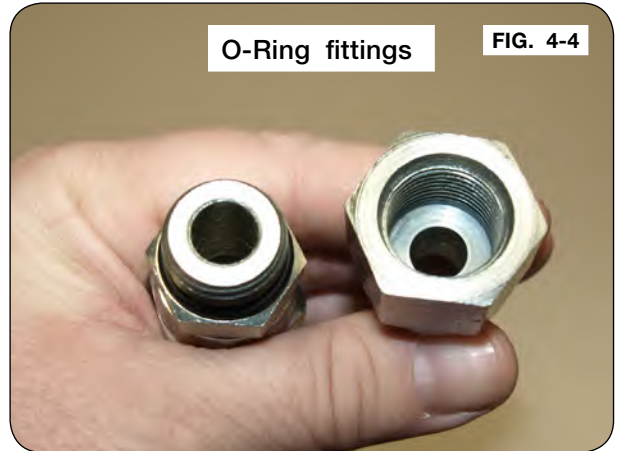
Hydraulic Fitting - Torque and Installation Procedures

Tightening O-Ring Fittings

1. Inspect components for damage or contamination. Do not connect any other type of fitting to an O-ring fitting.
2. For adjustable fittings, insure the jam nut and washer are fully backed up.
3. Lubricate the O-ring and threads on the fitting.
4. Turn the fitting into the port until it is finger tight.
5. For adjustable fittings, set in the desired position.
6. Using a wrench, torque the fitting to the value in the below table. For adjustable fittings the jam nut will be tightened.

NOTE: Never use a power tool to install a fitting.

Dash Size	Thread Size	Straight Stud Torque (Ft-Lbs)	Adjustable Stud Torque (Ft-Lbs)
-5	1/2-20	14-19	10-14
-6	9/16-18	18-24	12-16
-8	3/4-16	27-43	20-30
-10	7/8-14	36-48	30-36
-12	1-1/16-12	65-75	44-54
-14	1-3/16-12	75-99	53-70
-16	1-5/16-12	85-123	59-80
-20	1-5/8"-12	115-161	75-100
-24	1-7/8"-12	125-170	105-125

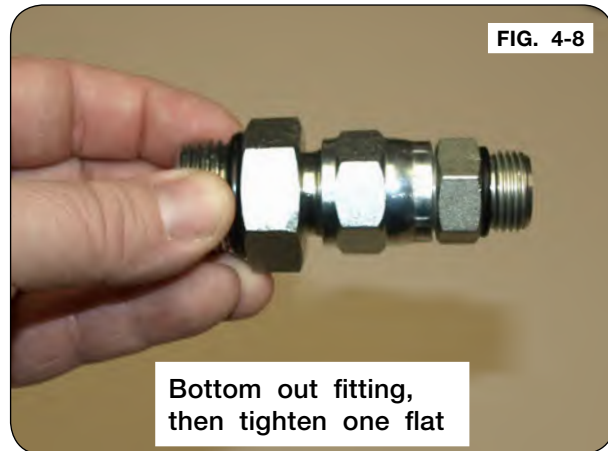


Hydraulic Fitting - Torque and Installation Procedures (continued)

Tightening JIC Fittings

1. Inspect all components for damage or contamination. Do not connect any other type of fitting to a JIC fitting.
2. Lubricate the threads.
3. Turn the fitting into the port until it bottoms out.
4. Use one wrench on the fixed hex on the hose to prevent twisting and a second on the swivel. Tighten the fitting another 60 degrees (or one flat)

NOTE: Never use a power tool to install a fitting.



SECTION V

Parts

Decals	5-2
Touch-Up Paint	5-3
Hitch Components.....	5-4
Frame Components	5-6
Spindle & Hub Components and Wheels.....	5-8
Linkage Components.....	5-10
Optional Caddy Upper Hook Kit #68965B.....	5-11
Hydraulic Components	5-12
Hydraulic Valve Conversion Kit.....	5-14
Hydraulic Extension (Optional) Kit.....	5-15
Electrical Extension (Optional) Kit.....	5-16

3 PT. CADDY — Parts

Decals

Please visit www.unverferth.com/parts/ for the most current parts listing.

ITEM	PART NO.	DESCRIPTION	QTY	NOTES
1	9003127	Reflector 2 x 9 =Amber=	2	
2	900558	Decal, WARNING "Ballast"	1	
3	91605	Decal, FEMA	1	
4	94094	Decal, WARNING "Tongue..."	1	
5	900705	Decal, Unverferth	2	
6	95445	Decal, WARNING "High-Pressure Fluid"	2	
7	97575	Decal, CAUTION "Transport Chain"	1	
8	97961	Decal, WARNING "Operator Manual"	1	
9	97972	Decal, WARNING "Crush"	2	
10	9008715	Decal, Front SIS 20 MPH	1	
11	9008714	Decal, Rear SIS 20 MPH	1	
12	901549	Decal, 500	2	

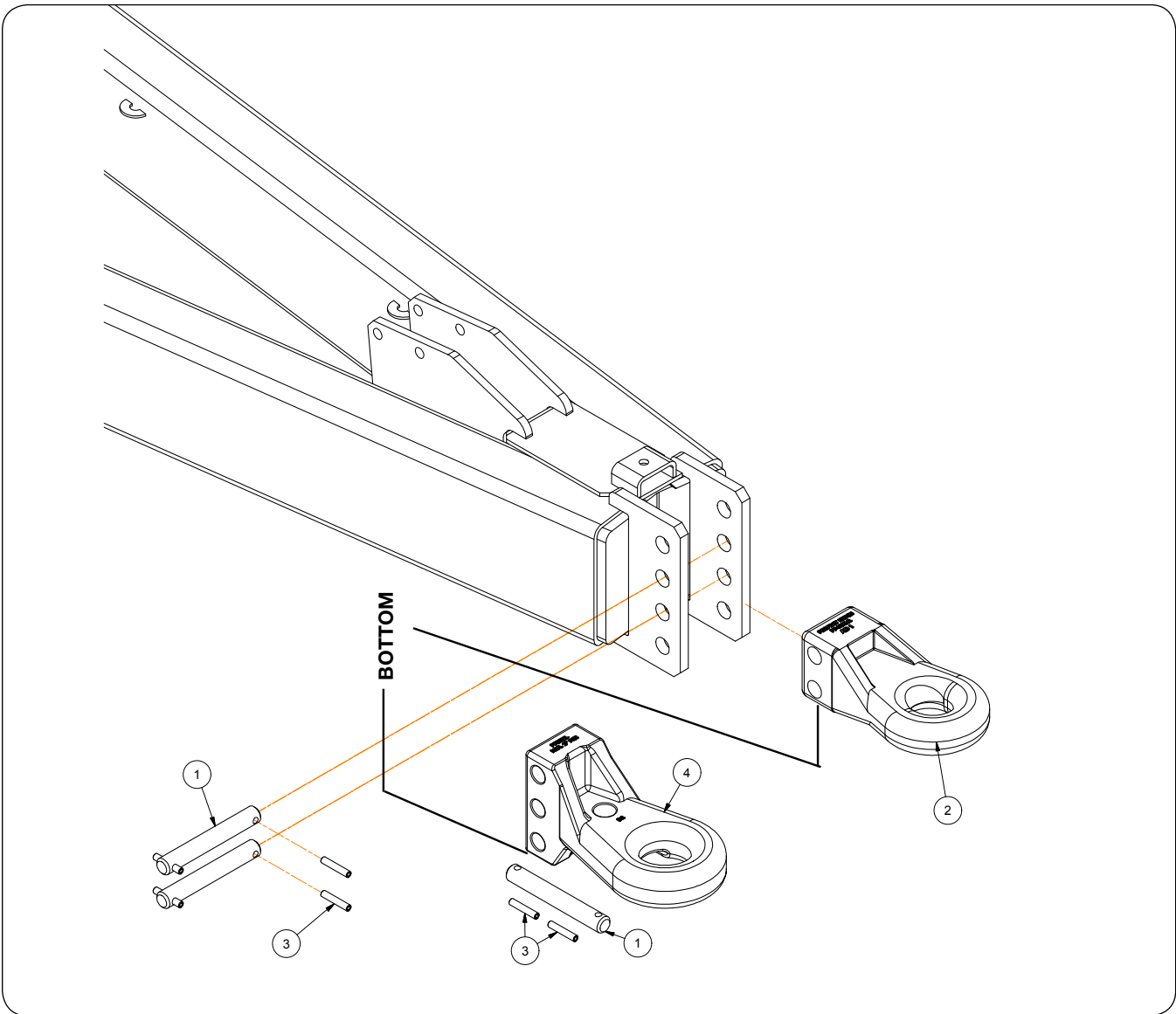
Touch-Up Paint

Please visit www.unverferth.com/parts/ for the most current parts listing.

ITEM	PART NO.	DESCRIPTION	QTY	NOTES
1	97013	Paint, Spray =Black=	-	
2	97015	Paint, Spray =Implement Green=	-	
3	97301	Paint, Spray =Crimson Red=	-	

Hitch Components

Please visit www.unverferth.com/parts/ for the most current parts listing.



3 PT. CADDY — Parts

Hitch Components

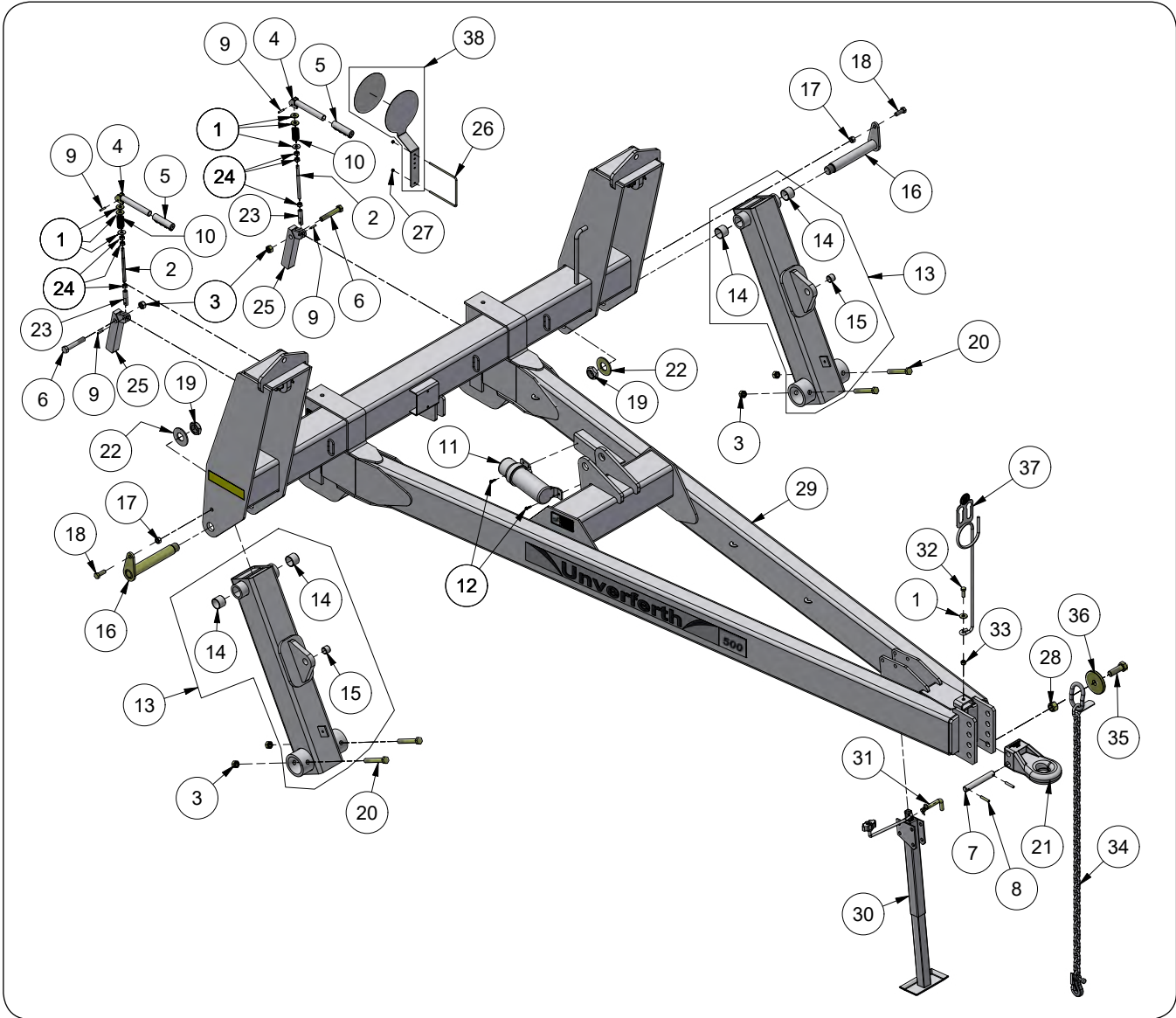
Please visit www.unverferth.com/parts/ for the most current parts listing.

ITEM	PART NO.	DESCRIPTION	NOTES
1	63702	Pin, 1" Dia. x 7 1/4"	
2	902808	Standard Hitch Pintle Casting, CAT 4	
3	91144-207	Spiral Pin, 3/8" Dia. x 2"	
4	73172	Pintle Hitch Assembly - CAT 5 Option ONLY (Includes Items 1 & 3)	
	902666	Pintle Hitch - CAT 5 Option ONLY	

3 PT. CADDY — Parts

Frame Components

Please visit www.unverferth.com/parts/ for the most current parts listing.



3 PT. CADDY — Parts

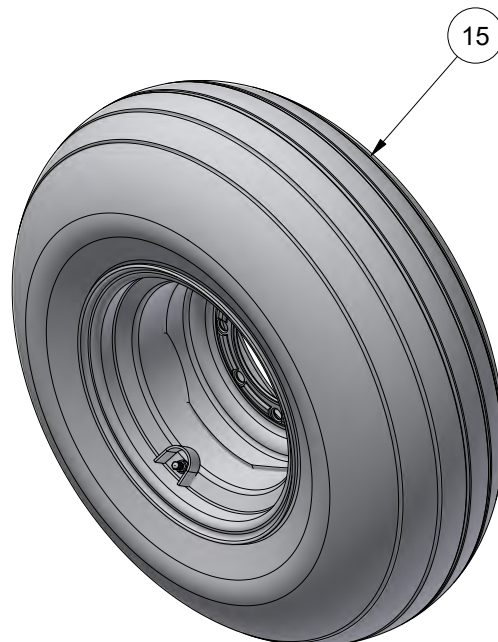
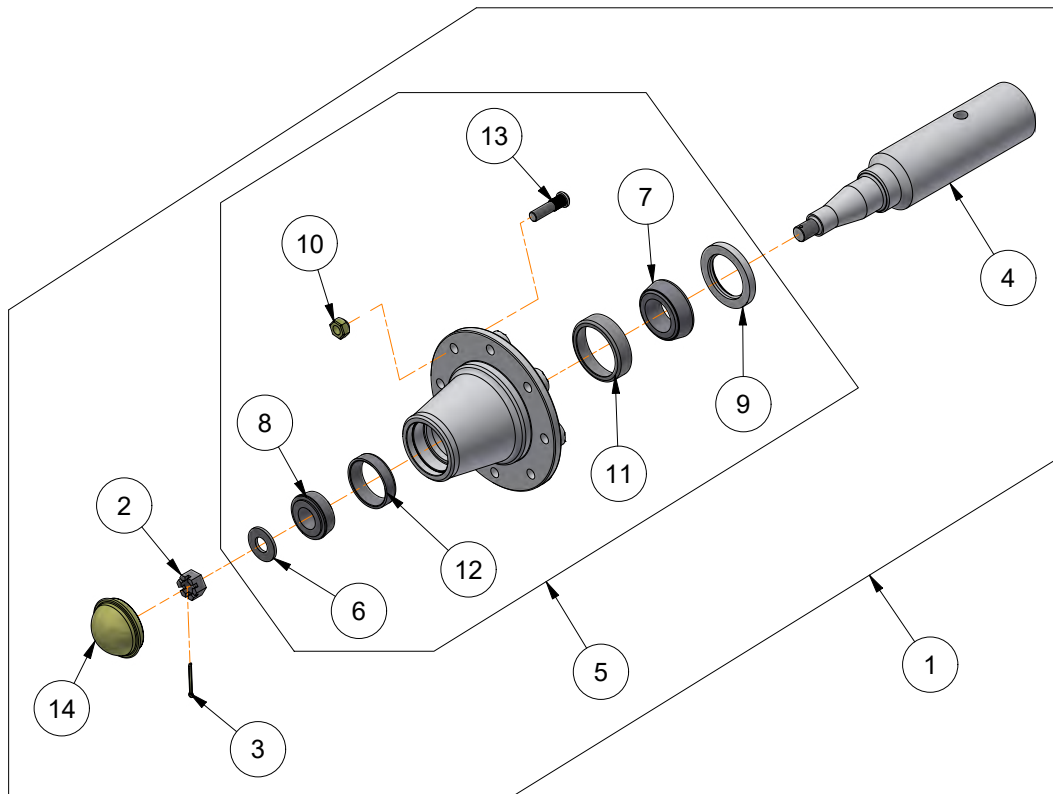
Frame Components

Please visit www.unverferth.com/parts/ for the most current parts listing.

ITEM	PART NO.	DESCRIPTION	QTY	NOTES
1	9405-088	Flat Washer, 1/2" USS	7	
2	69603	Latch Link (Male)	2	
	69661	Latch Kit Replacement	-	Includes Latch Link and Items 9, 23, 24
3	9802	Locknut/Top, 3/4"-10UNC	6	
4	65103	Handle Weldment/Latch CAM	2	
5	93475	Handle Grip, 1" Dia. x 4 9/16"	2	
6	9390-154	Capscrew, 3/4"-10UNC x 4 1/2" G5	2	
7	63702	Pin, 1" Dia. x 7 1/4"	2	
8	91144-207	Spiral Pin, 3/8" Dia. x 2"	4	
9	91144-160	Spiral Pin, 1/4" Dia. x 1 1/4"	4	
10	9001812B	Compression Spring, 1.207" OD x 4"	2	
11	900552	Manual Holder	1	
12	9512	Self Drilling Screw, 1/4"-14 x 1"	2	
13	66761B	Axle Leg Weldment w/Bushings	2	Includes Items 14 & 15
14	902098	Bushing, 2" OD x 1.78" ID x 1.5"	4	
15	95892	Bushing, 1.25" OD x 1.0" ID x 1"	2	
16	66766	Pin Weldment, 1 3/4" Dia. x 12 3/16"	2	
17	9801	Locknut/Top, 5/8"-11UNC	2	
18	9390-123	Capscrew, 5/8"-11UNC x 1 3/4" G5	2	
19	9397-022	Elastic Jam Nut, 1 1/2"-12UNF	2	
20	9390-156	Capscrew, 3/4"-10UNC x 5 1/2" G5	4	
21	902808	Standard Hitch Pintle Casting CAT 4	1	
22	9405-142	Flat Washer, 1 1/2" USS	2	
23	69602	Latch Link (Female)	2	
24	9394-010	Hex Nut, 1/2"-13UNC	6	
25	603237B	Latch Weldment	2	
26	97898	U-Bolt, 1/4"-20UNC x 6 5/8", 6 1/4" C/C	1	
27	9936	Lock Nut/Top, 1/4"-20UNC	2	
28	9663	Locknut/Top, 1"-8UNC	1	
29	67000B	A-Frame w/Decals =Black=	1	
	67000G	A-Frame w/Decals =Green=		
	67000R	A-Frame w/Decals =Red=		
30	82313	Jack Stand	1	
31	84979	Bent Pin, 5/8" Dia. x 4" Grip w/Hairpin Cotter	2	
32	9390-101	Capscrew, 1/2"-13UNC x 1 1/2" G5	1	
33	9800	Locknut/Top, 1/2"-13UNC	1	
34	9003278	Transport Chain, 20,200#	1	
35	9390-187	Capscrew, 1"-8UNC x 3" G5	1	
36	106941	Washer, 4 1/2" OD x 1 1/32" ID	1	
37	79337B	Hose Holder with SIS Decal	1	
	9008715	Decal, Front SIS 20 MPH		
38	79340B	Plate with SIS Decal	1	
	9008714	Decal, Rear SIS 20 MPH		

Spindle & Hub Components and Wheels

Please visit www.unverferth.com/parts/ for the most current parts listing.



3 PT. CADDY — Parts

Spindle & Hub Components and Wheels

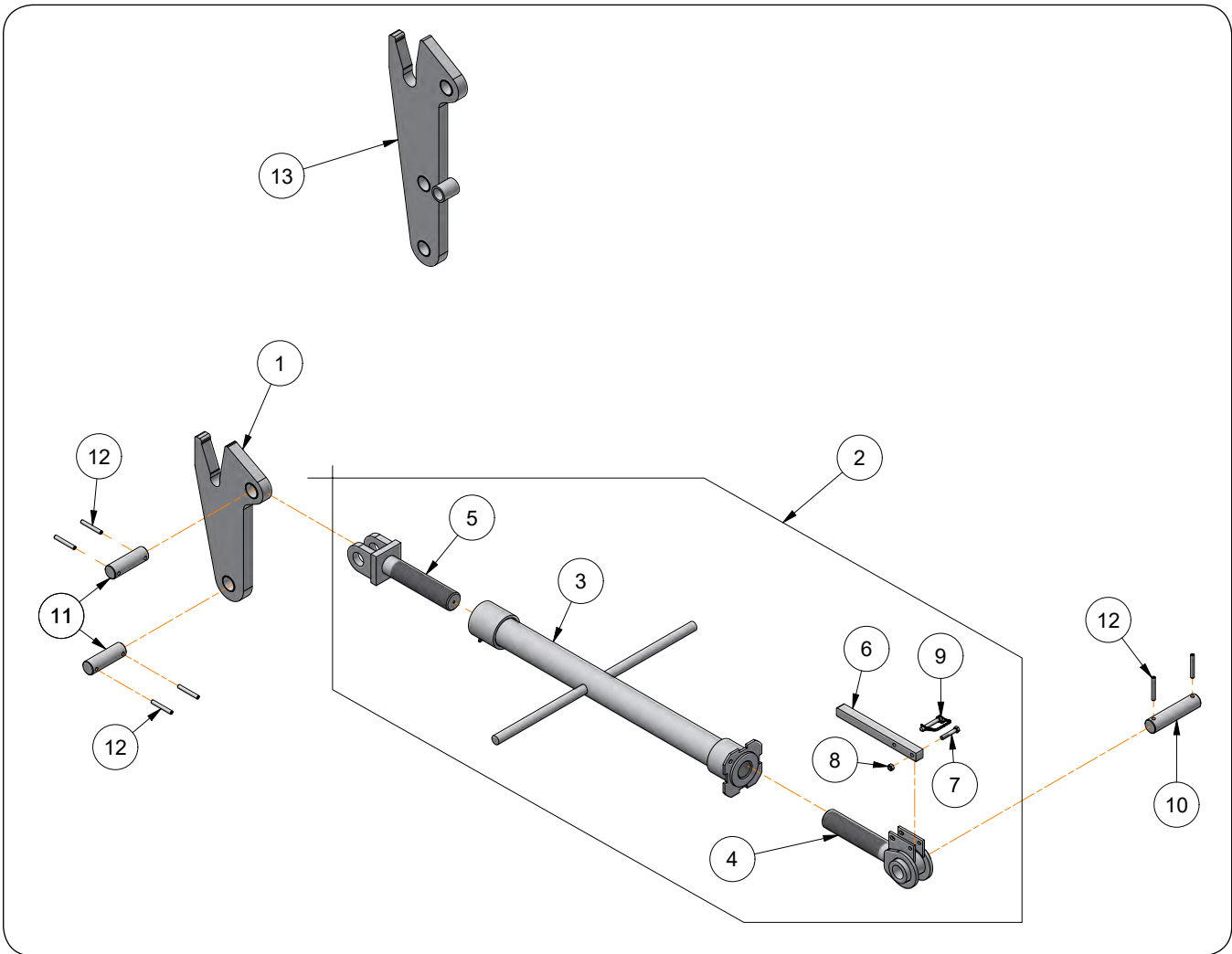
Please visit www.unverferth.com/parts/ for the most current parts listing.

ITEM	PART NO.	DESCRIPTION	QTY	NOTES
1	66986B	Hub & Spindle Assembly, 8-Bolt	4	Includes Items 2-14
2	91147	Slotted Nut, 7/8"-14UNF G2	4	
3	9391-036	Cotter Pin, 5/32" Dia. x 1 3/4"	4	
4	66763B	Spindle, 3.375" Dia with 7/8"-14UNF End	4	
5	9500005B	Hub 8-Bolt Assembly With Grease Zerk	4	Includes Items 6-13
6	91146	Flat Washer, 15/16" ID	4	
7	91154	Bearing Cone, 2" ID (#3780)	4	
8	91155	Bearing Cone, 1.31" ID (#2790)	4	
9	91157	Seal, 2.50" Dia. Shaft	4	
10	91158	Wheel Nut, 9/16"-18UNF	32	
11	91151	Bearing Cup, 3.6718" OD (#3720)	4	
12	91152	Bearing Cup, 3" OD (#2720)	4	
13	91153	Stud Bolt, 9/16"-18UNF x 2 1/4" G8	32	
14	91156	Hub Cap	4	
15	603247SM	Wheel and Tire Assembly (TLIF320/70R15) 8-Bolt	4	
	W1015-8-47RGSM	10 x 15 Implement Wheel		
	9002500	Valve Stem		

3 PT. CADDY — Parts

Linkage Components

Please visit www.unverferth.com/parts/ for the most current parts listing.



3 PT. CADDY — Parts

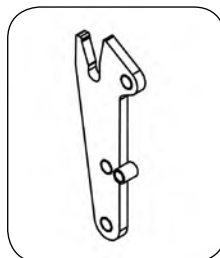
Linkage Components

Please visit www.unverferth.com/parts/ for the most current parts listing.

ITEM	PART NO.	DESCRIPTION	QTY	NOTES
1	73398B	Upper Hook with Bushing	1	
2	66330B	Adjustment Link Assembly	1	Includes Items 3-9
3	66323B	Tube Weldment	1	
4	66327	Link RH Adjusting Weldment	1	
5	66329	Link LH Adjusting Weldment	1	
6	63191	Lock Bar	1	
7	9390-059	Capscrew, 3/8"-16UNC x 2" G5	1	
8	9928	Locknut/Top, 3/8"-16UNC	1	
9	9000938	Lynch Pin, 3/8" Dia. x 2 1/4"	1	
10	62646	Pin, 1 1/2" Dia. x 6 1/2"	1	
11	65126	Pin, 1 1/2" Dia. x 4 3/4"	2	
12	91144-210	Spiral Pin, 3/8" Dia. x 2 3/4"	6	
13	68965B	Upper Hook Kit Option - CAT 4 Narrow, 1 3/4" Dia. Upper Pin	-	

Optional Caddy CAT 4 Narrow Upper Hook Kit #68965B

Please visit www.unverferth.com/parts/ for the most current parts listing.

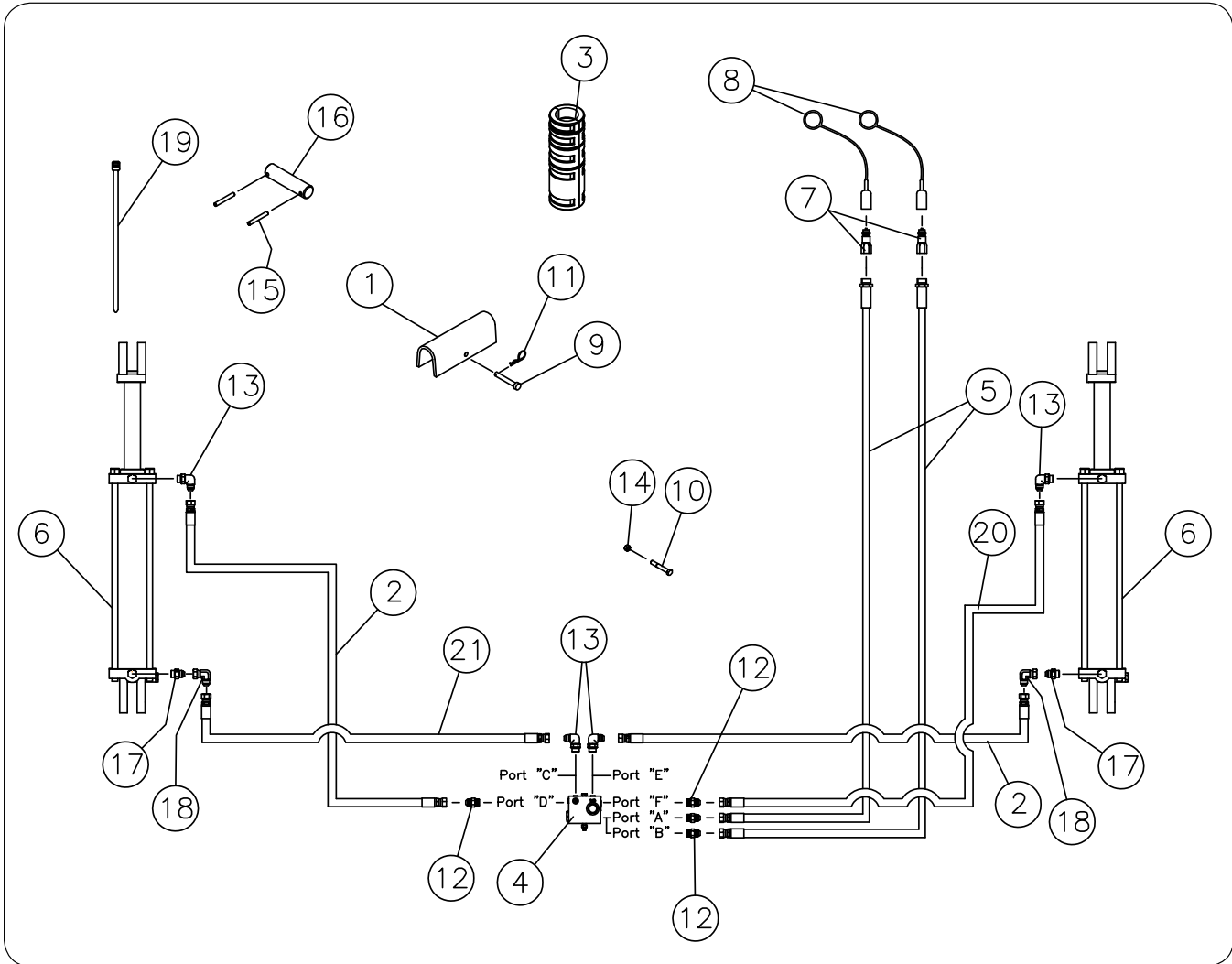


PART NO.	DESCRIPTION
68965B	Upper Hook Kit Option - CAT 4 Narrow, 1 3/4" Dia. Upper Pin

3 PT. CADDY — Parts

Hydraulic Components

Please visit www.unverferth.com/parts/ for the most current parts listing.



3 PT. CADDY — Parts

Hydraulic Components

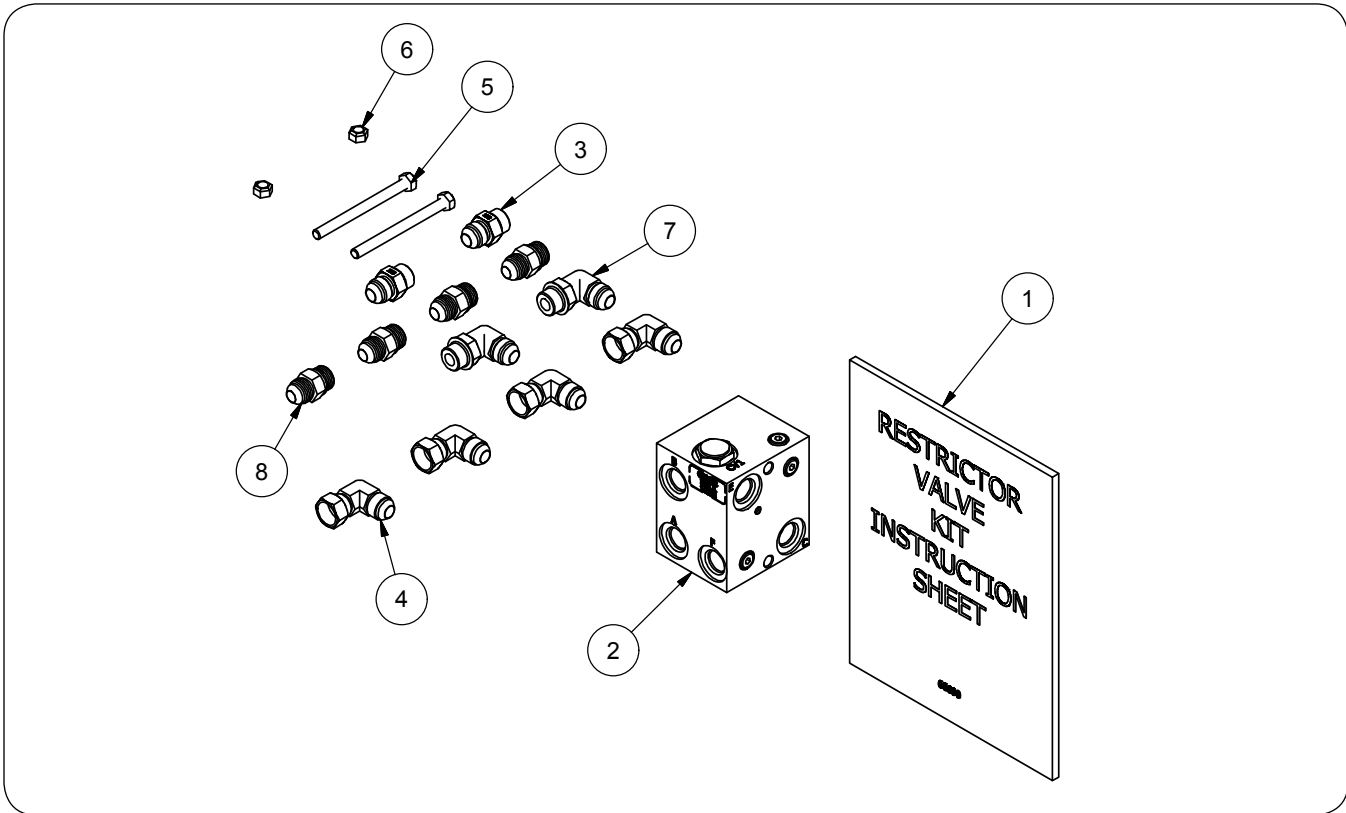
Please visit www.unverferth.com/parts/ for the most current parts listing.

ITEM	PART NO.	DESCRIPTION	QTY
1	65254B	Cylinder Stop	2
2	93685	Hose, 1/2 x 60 (3/4-16 JIC Female Swivel)	2
3	JBP3433	Stroke Control Kit - 1 3/4" to 2" Diameter	2
4	74652	Valve Divider/Pilot Check	1
5	95803	Hose, 1/2 x 229 (3/4-16 JIC FM, 3/4-16 O-R M)	2
6	96762	Cylinder, 4 x 18"	2
	95407	Seal Kit For Cylinder 96762	-
7	91383	Male Tip Coupling, 3/4-16	2
8	91511	Dust Cap	2
9	92955	Clevis Pin	2
10	9390-041	Capscrew, 5/16-18UNC x 4 Gr. 5	2
11	9514	Hairpin Cotter	2
12	9864	Adapter (3/4-16 JIC M x 3/4-16 O-R M)	4
13	9863	Elbow 90° (3/4-16 JIC M x 3/4-16 O-R M)	4
14	9807	Locknut, 5/16-18UNC Gr. 5	2
15	91144-165	Spiral Pin, 1/4D x 1 7/8	8
16	85631	Pin, 1D x 4	4
17	902116	Adapter/Restrictor (3/4-16 JIC M x 3/4-16 O-R M)	2
18	93683	Elbow 90° (3/4-16 JIC M x 3/4-16 JIC FM)	2
19	9000106	Cable Tie, 6" Lg.	10
20	9504083	Hose, 1/2 x 48 (3/4-16 JIC Female Swivel)	1
21	9001289	Hose, 1/2 x 72 (3/4-16 JIC Female Swivel)	1

3 PT. CADDY — Parts

Hydraulic Valve Conversion Kit #66700

Please visit www.unverferth.com/parts/ for the most current parts listing.

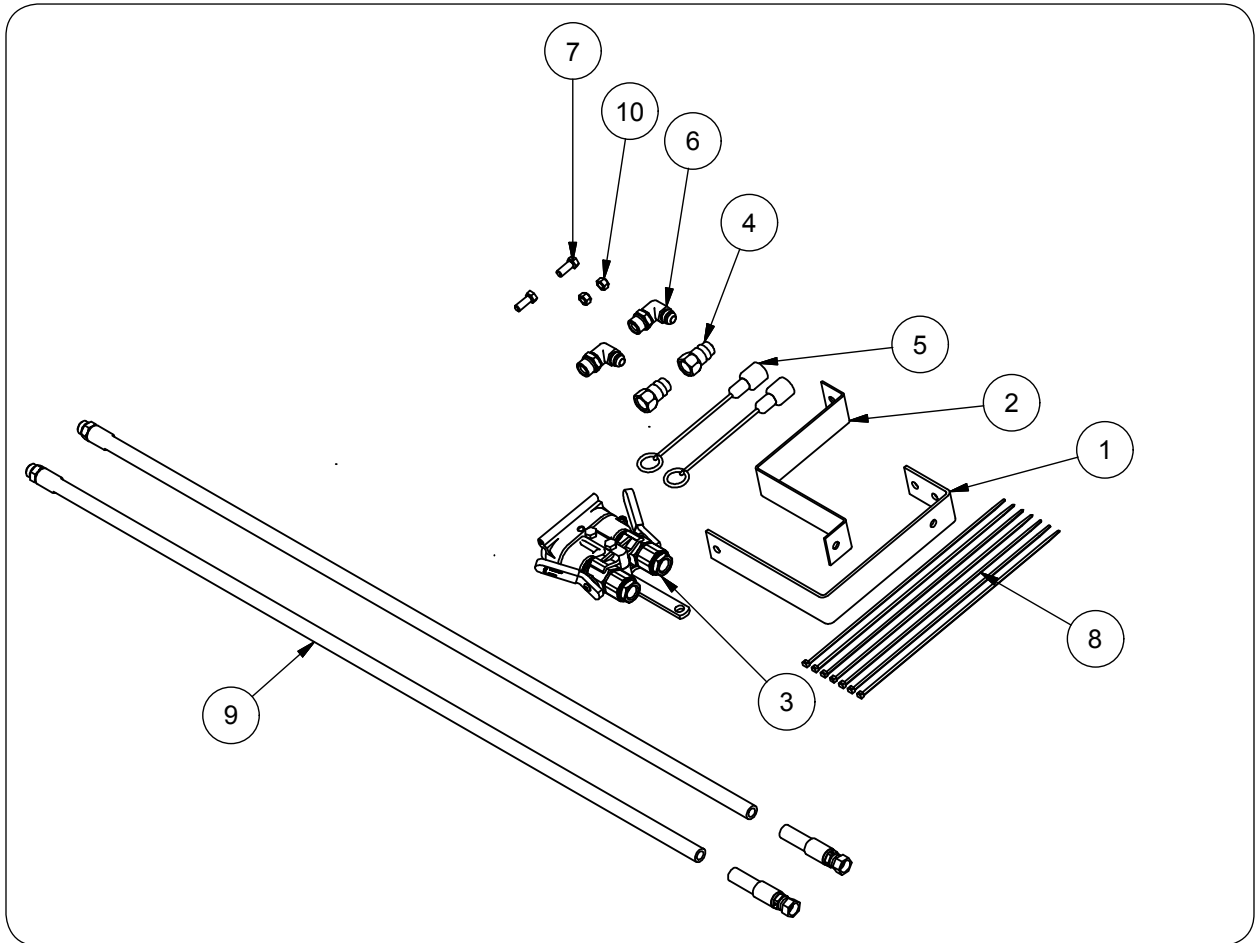


ITEM	PART NO.	DESCRIPTION	QTY	NOTES
	66700	Complete Valve Conversion Kit	-	Includes Items 1-8
1	66699	Instruction Sheet	1	
2	74652	Valve Assembly Divider/Pilot Check	1	
3	902116	Adapter, 3/4-16 JIC Male x 3/4-16 O-Ring Male w/0.125 Restrictor	2	
4	93683	90° Elbow, 3/4-16 JIC Male x 3/4-16 JIC Female	4	
5	9390-041	Capscrew, 5/16"-18UNC x 3 3/4" G5	2	
6	9807	Locknut, 5/16"-18UNC	2	
7	9863	90° Elbow, 3/4-16 JIC Male x 3/4-16 O-Ring Male	2	
8	9864	Adpater, 3/4-16 JIC Male x 3/4-16 O-Ring Male	4	

3 PT. CADDY — Parts

Hydraulic Extension (Optional) Kit

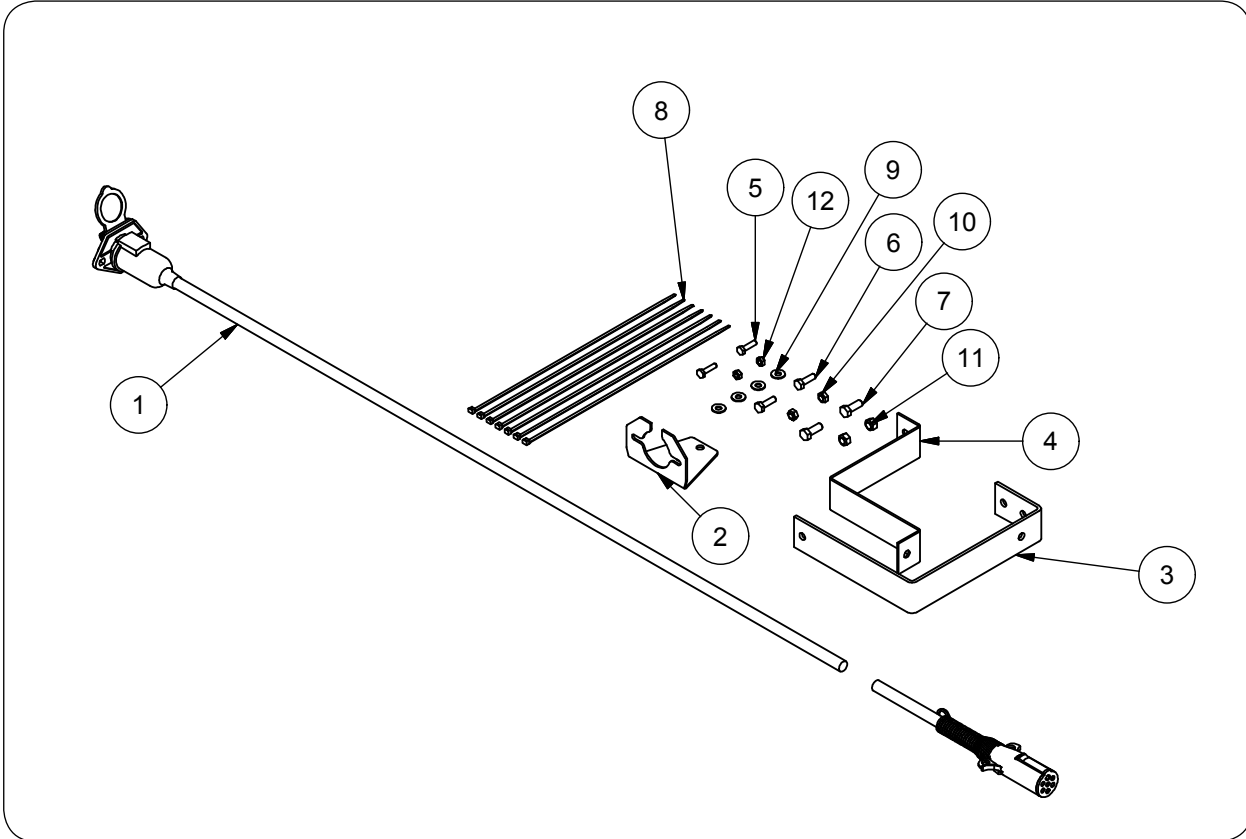
Please visit www.unverferth.com/parts/ for the most current parts listing.



ITEM	PART NO.	QTY	DESCRIPTION
	73467B	-	Hydraulic Extension Kit
1	73521B	1	Strap, 2" x 21 3/4"
2	73522B	1	Strap, 2" x 16 7/8"
3	902286	1	Coupler, Hydraulic Break-Away, 2-Port Coupler Kit
4	91383	2	Male Tip Coupling, 3/4-16 O-Ring Female
5	91511	2	Dust Cap
6	93599	2	90° Elbow, 3/4-16 JIC Male x 7/8-14 O-Ring Male
7	9390-055	2	Capscrew, 3/8"-16UNC x 1" G5
8	94037	7	Cable Tie, 15 1/2"
9	95803	2	Hydraulic Hose, 1/2" x 229" (3/4-16 JIC Female x 3/4-16 O-Ring Male)
10	9928	2	Locknut, 3/8"-16UNC

Electrical Extension Kit

Please visit www.unverferth.com/parts/ for the most current parts listing.



ITEM	PART NO.	QTY	DESCRIPTION
	73523B	-	Electrical Extension Kit
1	66723	1	Main Wire Harness, 222" (7-Way Plug/Socket)
2	66724	1	Electrical Coupler Mount
3	73521B	1	Strap, 2" x 21 3/4"
4	73522B	1	Strap, 2" x 16 7/8"
5	9390-005	2	Capscrew, 1/4"-20UNC x 1" G5
6	9390-030	2	Capscrew, 5/16"-18UNC x 1" G5
7	9390-055	2	Capscrew, 3/8"-16UNC x 1" G5
8	94037	7	Cable Tie, 15 1/2"
9	9405-064	4	Flat Washer, 1/4" USS
10	9807	2	Locknut/Top, 5/16"-18UNC
11	9928	2	Locknut/Top, 3/8"-16UNC
12	9936	2	Locknut/Top, 1/4"-20UNC

3 PT. CADDY — Parts

Notes



Unverferth[®]
Manufacturing Company, Inc.

www.unverferth.com